



BEST FOR KIDS CERTIFIED™
LIFT & LOCK™ CORDLESS OPTION



SONORAN
METAL BLINDS

January 2023 | Product Reference & Price Guide

Prices subject to change without notice.

v1.23



TABLE OF CONTENTS

Premier Collection Features & Benefits	4
Color Chart	5
Deluxe	6-7
Basic	8-9
Value	10-11
Macro 2"	12-13
Measuring	14
Child Safety & Care	15
Order Form	16



FEATURES & BENEFITS

1" DELUXE

- Lift & Lock™ cordless available for cord free, push button lift.
**available for standard rout only*
- Spring-tempered 8 gauge slats - available in a full selection of decorative colors and styles.
- Heavy-duty headrail with integrated valance - adds contemporary appeal.
- Privacy option - blocks unwanted light and increases privacy.
- Crash-proof cordlock and cast metal slip-clutch tilter provide smooth, reliable operation.

1" BASIC

- Lift & Lock™ cordless available for cord free, push button lift.
- Spring-tempered 6 gauge slats - offered in a popular variety of colors.
- Heavy-duty standard headrail with crash-proof cordlock and cast metal slip-clutch tilter ensures a smooth, reliable operation.
- Two-slat valance clips standard.

1" VALUE

- Lift & Lock™ cordless available for cord free, push button lift.
- Spring-tempered 6 gauge slats - offered in 6 top-selling colors.
- Heavy-duty standard headrail with crash-proof cordlock and cast metal slip-clutch tilter ensures a smooth, reliable operation.
- Two-slat valance clips standard.

2" MACRO

- Lift & Lock™ cordless available for cord free, push button lift.
**available for standard rout only*
- Selection of 8 gauge slat colors.
- Heavy-duty low profile standard headrail with crash-proof cordlock and cast metal slip-clutch tilter ensures a smooth, reliable operation.
- Slat valance and clips or channel valance.

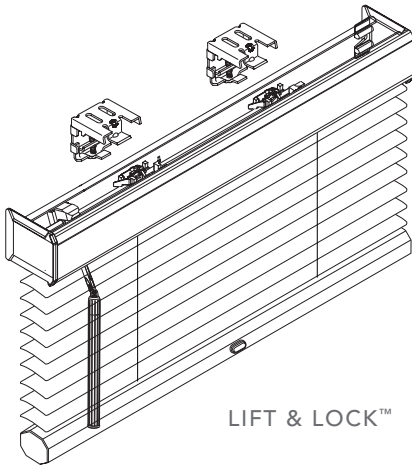
ALL STYLES FEATURE

- Spring-tempered slats - resists kinks and dents.
- Dust resistant finish repels dust and makes cleaning easier.
- Lock seam bottomrail provides added durability and resists bowing.
- Cordstop and single pull helps protect children and pets.

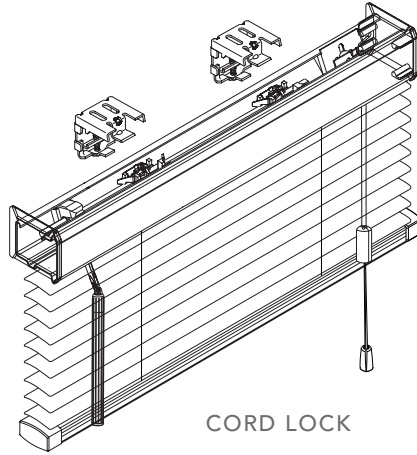
COLOR CHART

COLOR	DELUXE Valance Integrated	BASIC 1x1	VALUE 1x1	MACRO 2" Low Profile	LIFT & LOCK™
	D8	B6	V6	M2	
001 OPAL	•	•			125
002 ALABASTER	•	•	•	•	002
018 QUARTZ	•	•		•	110
048 BLACK	•	•		•	048
064 CHAR BROWN	•	•	•	•	064
065 BRUSHED ALUMINUM	•	•	•		065
110 SNOW GLOSS	•	•	•	•	110
125 PURE WHITE	•	•	•	•	125
127 PLASTER	•	•	•		127
173 EGGSHELL	•	•		•	002
180 CLAY	•	•			010
186 BEIGE	•	•		•	002
190 BRIGHT ALUMINUM	•	•		•	065
203 PUMICE	•				002
205 FAWN	•	•		•	002
254 CHAR BROWN MATTE	•				064
262 BRUSHED NICKEL TEXTURE	•				065
268 TUSK	•	•			127
269 BISQUE	•	•		•	127
270 LINEN	•	•		•	127
276 MERCURY	•	•			104
315 BISCUIT	•				002
318 COBBLESTONE	•	•			010
350 VANILLA	•	•		•	002
385 EVENING SNOW	•				127
402 PARCHMENT	•				002
405 PEWTER GRAY	•	•			104
413 FOREST	•	•			002
711 KAOLIN PEARL	•	•			127
748 GRAYSTONE	•	•		•	010
820 SIERRA	•	•			048
830 CANVAS	•	•		•	002
885 CHALK WHITE	•	•		•	125
913 ASH	•				104
914 LIGHT CAFFE	•				104
917 RIVER LOG	•				064
919 SPRIG	•				002
973 ANTIQUE	•	•		•	002
974 PEARL	•	•		•	127
981 TALC	•	•			125
983 GRAPHITE	•				048
048P BLACK PERFORATED	•				048
065P BRUSHED ALUMINUM PERFORATED	•				065
110P SNOW GLOSS PERFORATED	•				110

DELUXE – VALANCE INTEGRATED BLIND



LIFT & LOCK™



CORD LOCK

D8 DELUXE

- LIFT & LOCK™ CORDLESS AVAILABLE
- VALANCE INTEGRATED SYSTEM
- 8 GAUGE 1" SLAT
- PRIVACY OR STANDARD ROUTE
- 18MM LADDER SPACING PRIVACY
- 22MM LADDER SPACING STANDARD
- HIDDEN INSTALLATION BRACKETS
- COLOR MATCHED END CAPS
- LOCK SEAM CLOSED BOTTOMRAIL
- AVAILABLE IN 44 COLORS



CORDLESS SURCHARGE OPTION

Lift & Lock™ Price as standard blind and add \$65

* Available for standard rout only

D8 DELUXE 1 INCH BLIND PRIVACY		12"	24"	28"	32"	36"	40"	44"	48"	52"	57"	62"	67"	72"	82"	92"	102"	112"	120"
Height To	42"	99	101	105	109	112	119	123	128	133	138	149	156	162	185	197	210	225	239
	48"	101	103	108	111	118	123	128	133	138	145	156	163	170	192	206	219	236	251
	54"	103	108	110	116	121	127	133	138	144	149	163	170	175	201	215	230	248	263
	60"	107	110	113	120	125	131	138	144	148	156	169	177	184	209	225	240	259	275
	66"	108	111	118	122	127	135	141	147	152	161	174	183	190	216	233	249	268	286
	72"	111	116	121	126	131	139	147	152	160	166	182	190	198	226	243	260	280	302
	78"	112	119	123	128	135	144	151	158	163	172	187	196	205	234	251	269	293	314
	84"	116	121	126	131	139	147	154	162	169	179	192	204	211	242	260	279	305	326
	90"	121	126	131	138	145	153	162	170	175	187	202	213	222	252	272	294	318	340
	96"	122	128	134	140	148	158	165	173	182	191	208	217	227	259	281	303	329	351
	102"	125	131	137	145	152	162	171	179	187	197	214	225	235	267	292	314	339	363
	108"	127	134	139	147	154	165	174	183	190	202	219	231	242	277	301	323	350	374
	114"	132	140	144	153	161	171	182	190	197	210	229	239	251	288	313	337	364	389
	120"	138	145	150	160	167	179	189	197	206	218	237	250	261	299	326	350	378	404
	126"	143	151	156	166	173	186	196	206	214	227	248	259	272	312	338	364	394	420

D8 DELUXE 1 INCH BLIND STANDARD		12"	24"	28"	32"	36"	40"	44"	48"	52"	57"	62"	67"	72"	82"	92"	102"	112"	120"
Height To	42"	96	99	102	107	110	116	120	123	127	134	145	149	154	177	189	200	214	227
	48"	99	101	103	109	112	119	123	127	131	138	149	154	161	184	196	208	224	236
	54"	101	103	108	111	118	122	127	133	137	144	154	162	166	191	204	216	234	248
	60"	102	107	110	113	120	126	131	137	140	147	161	166	173	197	211	225	242	257
	66"	105	108	111	118	122	128	135	139	145	152	164	172	179	204	217	233	251	267
	72"	108	111	116	121	126	133	139	145	149	158	171	179	185	211	227	242	261	280
	78"	109	112	119	123	128	137	144	148	153	162	175	184	191	217	234	250	274	290
	84"	110	116	120	125	131	139	146	151	158	165	180	189	196	224	240	257	279	300
	90"	116	121	125	131	137	146	152	160	164	173	188	197	205	233	251	271	293	312
	96"	118	122	127	133	139	148	156	163	170	177	192	202	210	239	261	278	301	322
	102"	120	125	130	135	144	151	160	165	173	183	198	208	216	246	268	288	311	331
	108"	121	126	133	138	146	154	163	170	177	187	202	213	223	255	276	295	319	340
	114"	122	127	134	139	147	155	164	171	179	187	204	214	224	257	277	296	320	342
	120"	123	128	135	140	148	156	165	172	179	189	205	216	226	261	281	303	329	352
	126"	125	129	137	141	149	158	166	174	183	192	210	223	235	268	290	312	338	362

DELUXE – VALANCE INTEGRATED BLIND SPECIFICATIONS

CORD LOCK SIZE STANDARDS

Minimum	
Minimum Height	6"
Minimum Net Width	8"
Maximum	
Maximum Height	126"
Maximum Width (single blind)	120"
Maximum Width (2 on 1 headrail)	120"
Control Requirements	
Split controls L/R Min.	10 1/2"
Wand Left/Lift Right (standard)	
Group controls LL/LR Min.	18 1/8"
Tilt only Net Width	8" - 10 3/8"

LIFT & LOCK™ SIZE STANDARDS

Minimum	
Minimum Height	12"
Minimum Net Width	10 1/2"
Maximum	
Maximum Height	84"
Maximum Width (single blind)	120"
Maximum Width (2 on 1 headrail)	120"

MOUNTING REQUIREMENTS

Inside (IB) Mount	
Minimum required depth	7/8"
Minimum required depth, flush mount	1 1/4"
Outside (OB) Mount	
Minimum required mounting surface	5/8"
Rail-to-mount surface clearance	5/16"
Slat end-to-mount surface clearance	5/16"
Recommended width overlap per side	1 1/2"

FINISHED DIMENSIONS

Inside (IB) Mount	
Headrail width	-1/2"
Slat width	-1/2"
Blind height	ordered height
Outside (OB) Mount	
Headrail width	ordered width
Slat width	ordered width
Blind height	ordered height

Note: Measurements represent difference of total headrail or slat length (including end caps) from ordered width.

INSTALL BRACKETS/SUPPORTS

Install Brackets		
Finished Width	# of Brackets	# of Brackets
	Under 60 sq ft	60 sq ft +
Up to 60"	2	3
60 1/8" to 120"	3	4

STACKING HEIGHTS (APPROX.)

Blind Height	Stacks To
36"	3"
48"	3 1/2"
60"	4"
72"	4 1/2"
84"	5"
96"	5 1/2"
108"	6"
120"	6 1/2"
126"	6 3/4"

CONTROL OPTIONS

- Standard**
Tilt wand left (L), pull cord right (R)
- Optional**
Tilt wand (R), pull cord (L)
Tilt wand (R), pull cord (R)
Tilt wand (L), pull cord (L)
- Control Positions**
8 1/8" to 10 1/2" FINISHED width, center tilt or no tilt (no lift cord)
10 5/8" to 18 1/8" FINISHED, must be split L/R or R/L
18 1/4" FINISHED width or greater, controls can be L/R, R/L, L/L, or R/R
- Unless specified:** pull cord length will match wand length. Min pull cord/wand length is 12".
- 2-on-1 Shades Left Blind**
8" to 10-3/8" TILT: Center Tilt Only
LIFT CORD: n/a
10-1/2" to 18" TILT: Right only
LIFT CORD: Left Only
18-1/8" or more TILT: Left or Right
LIFT CORD: Left Only
- 2-on-1 Right Blind**
8" to 10-3/8" TILT: Center Tilt Only
LIFT CORD: n/a
10-1/2" to 18" TILT: Left only
LIFT CORD: Right Only
18-1/8" or more TILT: Left or Right
LIFT CORD: Right Only

LIFT & LOCK™ CONTROL OPTIONS

Standard	Optional
Tilt wand (L)	Tilt wand (R)

WAND LENGTH STANDARDS

Blind Height	Wand Length
6" to 22"	12"
22 1/8" to 37"	20"
37 1/8" to 52"	30"
52 1/8" to 67"	40"
67 1/8" to 82"	50"
82 1/8" to 126"	60"

Note: Any wand length listed above may be chosen to override the supplied standard wand length. Additional wand lengths: 70", 78", 90" or 120".

LADDER STANDARDS

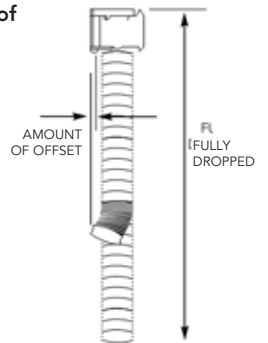
Finished Width	Number of Ladders
Up to 36"	2
36 1/8" to 60"	3
60 1/8" to 84"	4
84 1/8" to 108"	5
108 1/8" to 120"	6

OPTIONAL FEATURES

- Lift & Lock™ cordless (standard rout only)
- No Charge – Specify on Order**
- Hold-down brackets (not available in Lift & Lock™)
- 3/8" spacer blocks
- Extension brackets
- Non-standard cord length
- Non-standard wand length
- Multiple blinds on one headrail
- Cut-outs

OFFSET STACKING CHART

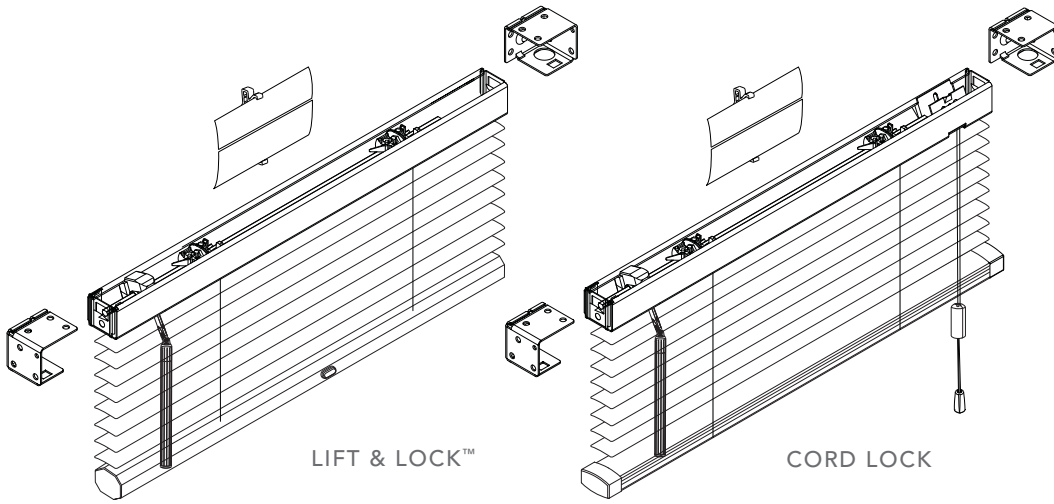
Length of Offset	Amount of Offset
12"	1/4"
24"	7/16"
36"	9/16"
48"	11/16"
60"	3/4"
72"	13/16"
84"	13/16"
96"	7/8"
108"	7/8"
120"	7/8"



HOW TO PRICE

- Important Note!** All base prices are predicated on Ordered Dimensions, not Finished Dimensions.
- Multiple blinds on 1 headrail – price each blind individually and add together for total price.
- Base prices for 1" Deluxe blinds are shown on price chart D8.
- Lift & Lock™ cordless surcharge added to each blind ordered when selected as an option.

BASIC – 1x1" BLIND



B6 BASIC

- LIFT & LOCK™ CORDLESS AVAILABLE
- 1X1 RAIL SYSTEM
- 6 GAUGE 1" SLAT
- 22MM LADDER SPACING
- BOX BRACKETS & METAL END STIFFENER
- 2 SLAT VALANCE & CLIPS
- LOCK SEAM BOTTOMRAIL
- AVAILABLE IN 30 COLORS



CORDLESS SURCHARGE OPTION

Lift & Lock™ Price as standard blind and add \$65

B6 BASIC 1 INCH BLIND		12"	24"	28"	32"	36"	40"	44"	48"	52"	57"	62"	67"	72"	82"	92"	102"	112"	120"
Height To	Width	12"	24"	28"	32"	36"	40"	44"	48"	52"	57"	62"	67"	72"	82"	92"	102"	112"	120"
	42"	58	68	72	76	82	95	99	102	105	111	126	130	141	153	172	195	215	233
	48"	59	70	75	79	84	101	105	108	111	119	133	138	149	162	182	205	226	244
	54"	60	74	77	82	87	102	107	110	113	121	137	141	152	166	187	210	233	251
	60"	61	75	81	84	90	105	109	112	119	125	140	146	158	172	192	217	242	260
	66"	66	81	85	89	96	111	116	121	125	133	148	154	166	182	204	228	252	274
	72"	67	83	86	92	99	113	120	123	128	137	153	161	172	188	210	236	261	286
	78"	69	85	90	96	103	119	123	128	134	141	160	165	179	195	217	244	271	295
	84"	70	86	93	99	107	122	127	133	138	146	164	171	184	201	225	252	279	305
	90"	70	89	95	101	109	125	130	137	141	149	169	175	189	208	231	260	288	314
	96"	72	90	97	102	110	127	134	139	146	153	172	180	195	213	237	267	294	322
	102"	74	92	99	105	112	130	137	144	149	158	177	185	200	217	244	274	303	331
	108"	75	95	101	108	116	134	140	146	153	163	182	190	205	225	251	280	312	339
	114"	75	96	103	110	120	137	144	149	156	166	187	196	210	230	257	289	319	349
	120"	76	99	105	112	122	139	147	153	161	171	190	200	215	236	266	295	329	357
	126"	77	100	108	113	125	144	149	158	164	174	196	205	222	242	272	303	337	366

BASIC – 1x1" BLIND SPECIFICATIONS

CORD LOCK SIZE STANDARDS

Minimum	
Minimum Height	6"
Minimum Net Width	8"
Maximum	
Maximum Height	126"
Maximum Width (single blind)	120"
Maximum Width (2 on 1 headrail)	120"
Control Requirements	
Split controls L/R Min.	10 1/2"
Wand Left/Lift Right (standard)	
Group controls LL/LR Min.	18 1/8"
Tilt only Net Width	8" - 10 3/8"

LIFT & LOCK™ SIZE STANDARDS

Minimum	
Minimum Height	12"
Minimum Net Width	10 1/2"
Maximum	
Maximum Height	84"
Maximum Width (single blind)	120"
Maximum Width (2 on 1 headrail)	120"

MOUNTING REQUIREMENTS

Inside (IB) Mount	
Minimum required depth	7/8"
Minimum required depth, flush mount	1 1/4"
Outside (OB) Mount	
Minimum required mounting surface	5/8"
Rail-to-mount surface clearance	5/16"
Slat end-to-mount surface clearance	5/16"
Recommended width overlap per side	1 1/2"

FINISHED DIMENSIONS

Inside (IB) Mount	
Headrail width	-1/2"
Slat width	-1/2"
Blind height	ordered height
Outside (OB) Mount	
Headrail width	ordered width
Slat width	ordered width
Blind height	ordered height

Note: Measurements represent difference of total headrail or slat length (including end caps) from ordered width.

INSTALL BRACKETS/SUPPORTS

Install Brackets	
Standard	1 pair
Support Brackets	
Finished Width	Number of Brackets
48" - 84"	1
84 1/8" to 120"	2

STACKING HEIGHTS (APPROX.)

Blind Height	Stacks To
36"	3"
48"	3 1/2"
60"	4"
72"	4 1/2"
84"	5"
96"	5 1/2"
108"	6"
120"	6 1/2"
126"	6 3/4"

CORD LOCK CONTROL OPTIONS

Standard	
Tilt wand left (L), pull cord right (R)	
Optional	
Tilt wand (R), pull cord (L)	
Tilt wand (R), pull cord (R)	
Tilt wand (L), pull cord (L)	
Control Positions	
8 1/8" to 10 1/2" FINISHED width, center tilt or no tilt (no lift cord)	
10 5/8" to 18 1/8" FINISHED, must be split L/R or R/L	
18 1/4" FINISHED width or greater, controls can be L/R, R/L, L/L, or R/R	
Unless specified: pull cord length will match wand length. Min pull cord/wand length is 12".	
2-on-1 Left Blind	
8" to 10-3/8"	TILT: Center Tilt Only LIFT CORD: n/a
10-1/2" to 18"	TILT: Right only LIFT CORD: Left Only
18-1/8" or more	TILT: Left or Right LIFT CORD: Left Only
2-on-1 Right Blind	
8" to 10-3/8"	TILT: Center Tilt Only LIFT CORD: n/a
10-1/2" to 18"	TILT: Left only LIFT CORD: Right Only
18-1/8" or more	TILT: Left or Right LIFT CORD: Right Only

LIFT & LOCK™ CONTROL OPTIONS

Standard	Optional
Tilt wand (L)	Tilt wand (R)

WAND LENGTH STANDARDS

Blind Height	Wand Length
6" to 22"	12"
22 1/8" to 37"	20"
37 1/8" to 52"	30"
52 1/8" to 67"	40"
67 1/8" to 82"	50"
82 1/8" to 126"	60"

Note: Any wand length listed above may be chosen to override the supplied standard wand length. Additional wand lengths: 70", 78", 90" or 120".

LADDER STANDARDS

Finished Width	Number of Ladders
Up to 36"	2
36 1/8" to 60"	3
60 1/8" to 84"	4
84 1/8" to 108"	5
108 1/8" to 120"	6

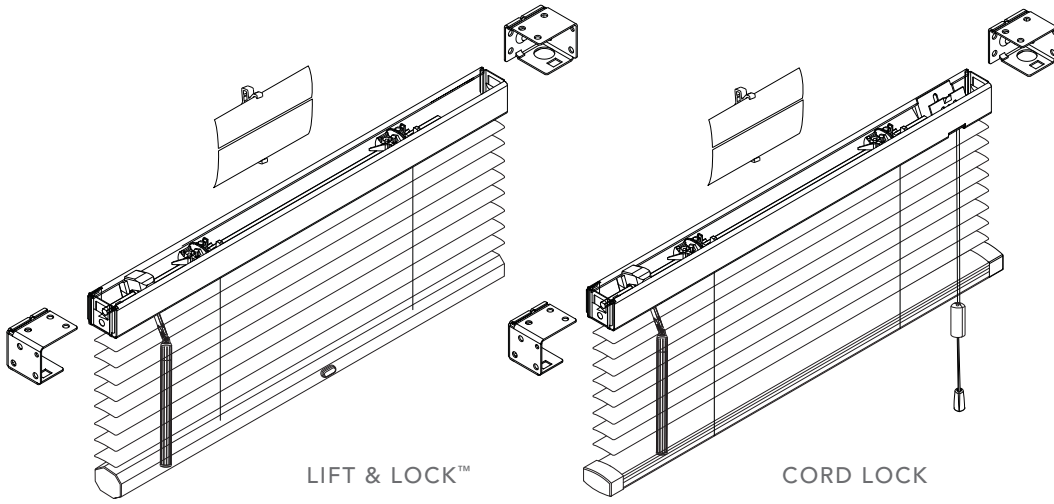
OPTIONAL FEATURES

- Lift & Lock™ cordless
- No Charge – Specify on Order**
- Hold-down brackets (not available in Lift & Lock™)
- 3/8" spacer blocks
- Extension brackets
- Non-standard cord length
- Non-standard wand length
- Multiple blinds on one headrail
- Cut-outs

HOW TO PRICE

- **Important Note!** All base prices are predicated on Ordered Dimensions, not Finished Dimensions.
- Multiple blinds on 1 headrail – price each blind individually and add together for total price.
- Base prices for 1" Basic blinds are shown on price chart B6.
- Lift & Lock™ cordless surcharge added to each blind ordered when selected as an option.

VALUE – 1x1" BLIND



V6 VALUE

- LIFT & LOCK™ CORDLESS AVAILABLE
- 1X1 RAIL SYSTEM
- 6 GAUGE 1" SLAT
- 23MM LADDER SPACING
- BOX BRACKETS & METAL END STIFFENER
- 2 SLAT VALANCE & CLIPS
- LOCK SEAM BOTTOMRAIL
- AVAILABLE IN 6 COLORS



CORDLESS SURCHARGE OPTION

Lift & Lock™ Price as standard blind and add \$65

V6 VALUE 1 INCH BLIND		12"	24"	28"	32"	36"	40"	44"	48"	52"	57"	62"	67"	72"	82"	92"	102"	112"	120"
Height To	Width	12"	24"	28"	32"	36"	40"	44"	48"	52"	57"	62"	67"	72"	82"	92"	102"	112"	120"
	42"	58	64	66	67	72	85	87	90	92	97	111	116	125	135	153	172	190	206
	48"	58	65	66	69	75	87	92	95	99	103	118	121	131	143	160	181	198	214
	54"	59	66	68	72	78	90	93	96	99	104	119	122	134	144	163	183	204	218
	60"	60	67	69	74	79	92	96	99	101	107	121	126	138	148	166	188	209	224
	66"	61	70	75	79	84	97	101	104	108	112	128	133	144	155	173	196	217	234
	72"	63	72	76	81	86	100	104	107	110	117	131	135	147	161	180	201	223	244
	78"	64	76	81	84	89	103	108	110	113	120	135	140	153	165	185	208	231	251
	84"	65	78	82	85	91	105	109	112	117	122	139	144	156	169	189	213	235	257
	90"	66	79	83	86	92	108	111	116	119	125	141	146	161	172	193	217	242	263
	96"	66	79	84	87	93	109	113	118	121	128	145	149	163	175	197	222	246	268
	102"	67	81	85	90	96	111	116	120	123	131	147	153	166	181	204	226	251	274
	108"	67	82	86	91	97	112	118	122	126	134	149	156	170	185	207	232	257	280
	114"	68	83	87	92	100	116	120	125	129	137	154	161	173	189	211	236	263	287
	120"	68	85	90	95	101	118	122	128	133	139	156	163	175	192	216	242	268	293
	126"	69	86	91	96	104	119	125	129	135	143	161	166	181	196	219	246	274	297

VALUE – 1x1" BLIND SPECIFICATIONS

CORD LOCK SIZE STANDARDS

Minimum	
Minimum Height	6"
Minimum Net Width	8"
Maximum	
Maximum Height	126"
Maximum Width (single blind)	120"
Maximum Width (2 on 1 headrail)	120"
Control Requirements	
Split controls L/R Min.	10 1/2"
Wand Left/Lift Right (standard)	
Group controls LL/LR Min.	18 1/8"
Tilt only Net Width	8" - 10 3/8"

LIFT & LOCK™ SIZE STANDARDS

Minimum	
Minimum Height	12"
Minimum Net Width	10 1/2"
Maximum	
Maximum Height	84"
Maximum Width (single blind)	120"
Maximum Width (2 on 1 headrail)	120"

MOUNTING REQUIREMENTS

Inside (IB) Mount	
Minimum required depth	7/8"
Minimum required depth, flush mount	1 1/4"
Outside (OB) Mount	
Minimum required mounting surface	5/8"
Rail-to-mount surface clearance	5/16"
Slat end-to-mount surface clearance	5/16"
Recommended width overlap per side	1 1/2"

FINISHED DIMENSIONS

Inside (IB) Mount	
Headrail width	-1/2"
Slat width	-1/2"
Blind height	ordered height
Outside (OB) Mount	
Headrail width	ordered width
Slat width	ordered width
Blind height	ordered height

Note: Measurements represent difference of total headrail or slat length (including end caps) from ordered width.

INSTALL BRACKETS/SUPPORTS

Install Brackets	
Standard	1 pair
Support Brackets	
Finished Width	Number of Brackets
48" - 84"	1
84 1/8" to 120"	2

STACKING HEIGHTS (APPROX.)

Blind Height	Stacks To
36"	3"
48"	3 1/2"
60"	4"
72"	4 1/2"
84"	5"
96"	5 1/2"
108"	6"
120"	6 1/2"
126"	6 3/4"

CONTROL OPTIONS

Standard	
Tilt wand left (L), pull cord right (R)	
Optional	
Tilt wand (R), pull cord (L)	
Tilt wand (R), pull cord (R)	
Tilt wand (L), pull cord (L)	

Control Positions
 8 1/8" to 10 1/2" FINISHED width, center tilt or no tilt (no lift cord)

10 5/8" to 18 1/8" FINISHED, must be split L/R or R/L

18 1/4" FINISHED width or greater, controls can be L/R, R/L, L/L, or R/R

Unless specified: pull cord length will match wand length. Min pull cord/wand length is 12".

2-on-1 Left Blind	
8" to 10-3/8"	TILT: Center Tilt Only LIFT CORD: n/a
10-1/2" to 18"	TILT: Right only LIFT CORD: Left Only
18-1/8" or more	TILT: Left or Right LIFT CORD: Left Only

2-on-1 Right Blind	
8" to 10-3/8"	TILT: Center Tilt Only LIFT CORD: n/a
10-1/2" to 18"	TILT: Left only LIFT CORD: Right Only
18-1/8" or more	TILT: Left or Right LIFT CORD: Right Only

LIFT & LOCK™ CONTROL OPTIONS

Standard	Optional
Tilt wand (L)	Tilt wand (R)

WAND LENGTH STANDARDS

Blind Height	Wand Length
6" to 22"	12"
22 1/8" to 37"	20"
37 1/8" to 52"	30"
52 1/8" to 67"	40"
67 1/8" to 82"	50"
82 1/8" to 126"	60"

Note: Any wand length listed above may be chosen to override the supplied standard wand length. Additional wand lengths: 70", 78", 90" or 120".

LADDER STANDARDS

Finished Width	Number of Ladders
Up to 36"	2
36 1/8" to 60"	3
60 1/8" to 84"	4
84 1/8" to 108"	5
108 1/8" to 120"	6

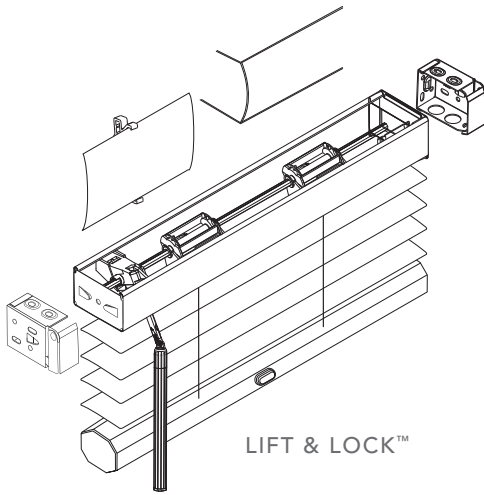
OPTIONAL FEATURES

- Lift & Lock™ cordless
- No Charge – Specify on Order**
- Hold-down brackets (not available in Lift & Lock™)
- 3/8" spacer blocks
- Extension brackets
- Non-standard cord length
- Non-standard wand length
- Multiple blinds on one headrail
- Cut-outs

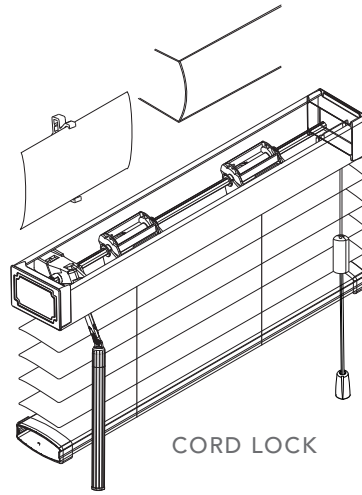
HOW TO PRICE

- **Important Note!** All base prices are predicated on Ordered Dimensions, not Finished Dimensions.
- Multiple blinds on 1 headrail – price each blind individually and add together for total price.
- Base prices for 1" Value blinds are shown on price chart V6.
- Lift & Lock™ cordless surcharge added to each blind ordered when selected as an option.

MACRO – 2" BLIND



LIFT & LOCK™



CORD LOCK

M2 MACRO 2"

- LIFT & LOCK™ CORDLESS AVAILABLE
- 2" LOW PROFILE RAIL SYSTEM
- 8 GAUGE 2" SLAT
- PRIVACY ROUTE
- 42MM LADDER SPACING
- SLAT VALANCE & CLIPS OR CHANNEL VALANCE
- WAND TILT OR CORD TILT
- BOX BRACKETS & END STIFFENER
- AVAILABLE IN 18 COLORS



CORDLESS SURCHARGE OPTION

Lift & Lock™ Price as standard blind and add \$65

* Available for standard rout only

M2	MACRO 2 INCH BLIND PRIVACY																		
	Width	12"	24"	28"	32"	36"	40"	44"	48"	52"	57"	62"	67"	72"	82"	92"	102"	112"	120"
Height To	42"	95	111	118	122	130	137	141	151	156	164	171	179	192	216	230	259	274	303
	48"	97	113	120	126	134	140	146	156	162	170	177	185	200	225	239	269	285	314
54"	99	118	123	130	138	145	151	162	166	175	184	191	208	234	249	279	294	328	
	60"	100	120	126	133	141	147	153	165	171	182	189	197	213	239	255	287	303	337
66"	103	125	131	138	148	154	162	172	180	189	197	206	223	251	268	300	316	351	
	72"	105	127	134	140	151	158	164	175	184	192	202	211	227	255	275	307	324	359
78"	110	133	140	148	158	165	173	185	191	202	211	222	237	268	287	320	339	375	
	84"	111	135	144	151	162	170	177	189	197	209	217	227	246	276	295	330	350	386
90"	112	138	146	153	164	172	180	192	201	213	223	233	251	281	302	338	357	395	
	96"	116	142	150	158	168	172	180	192	202	214	225	235	252	287	307	342	364	402
102"	119	145	154	162	173	175	184	198	208	219	230	242	260	294	315	352	375	415	
	108"	122	149	159	166	177	180	188	202	211	224	235	248	266	301	323	362	383	422
114"	126	153	163	171	183	184	192	208	216	230	242	253	272	308	332	370	394	435	
	120"	129	158	168	175	186	188	197	213	223	235	248	260	279	316	340	380	403	445
126"	132	163	172	181	191	191	202	216	227	240	253	266	287	324	350	390	415	457	

M2	MACRO 2 INCH BLIND STANDARD																		
	Width	12"	24"	28"	32"	36"	40"	44"	48"	52"	57"	62"	67"	72"	82"	92"	102"	112"	120"
Height To	42"	95	111	118	122	130	135	141	151	156	164	171	177	191	216	230	259	274	302
	48"	96	113	120	126	134	139	146	154	162	170	177	184	200	225	239	268	285	314
54"	99	118	123	130	138	145	151	162	166	175	184	191	206	234	249	278	294	328	
	60"	100	120	126	133	140	147	153	164	171	180	188	197	213	239	254	287	302	336
66"	103	125	131	138	147	154	162	172	180	189	197	206	223	251	267	300	316	351	
	72"	105	126	134	140	151	158	164	175	184	192	202	211	227	255	275	307	324	358
78"	110	133	140	148	158	165	172	185	191	202	211	222	237	268	287	320	339	375	
	84"	111	135	144	151	162	170	177	189	197	208	217	227	244	276	295	330	350	386
90"	112	138	146	153	164	172	180	192	201	213	223	233	250	281	302	338	357	395	
	96"	116	141	149	156	168	172	180	192	202	213	224	234	252	286	306	342	364	402
102"	119	145	153	161	172	175	184	198	206	219	230	240	259	293	315	352	375	415	
	108"	121	148	158	165	176	179	188	202	211	224	235	248	266	300	323	359	383	422
114"	124	152	161	169	181	183	192	208	216	230	240	252	272	308	331	370	394	435	
	120"	127	155	165	173	186	188	197	213	223	235	248	259	278	315	340	380	403	445
126"	130	160	169	177	190	191	202	216	227	240	253	266	287	323	350	390	415	457	

MACRO – 2" BLIND SPECIFICATIONS

CORD LOCK SIZE STANDARDS

Minimum	
Minimum Height	12"
Minimum Net Width	8"
Maximum	
Maximum Height	126"
Maximum Width (single blind)	120"
Maximum Width (2 on 1 headrail)	120"
Control Requirements	
Split controls L/R Min.	10 1/2"
Wand Left/Lift Right (standard)	
Group controls LL/LR Min.	18 1/8"
Tilt only Net Width	8" - 10 3/8"

LIFT & LOCK™ SIZE STANDARDS

Minimum	
Minimum Height	12"
Minimum Net Width	10 1/2"
Maximum	
Maximum Height	84"
Maximum Width (single blind)	120"
Maximum Width (2 on 1 headrail)	120"

MOUNTING REQUIREMENTS

Inside (IB) Mount	
Minimum required depth	1 1/8"
Minimum required depth, flush mount	3 3/8"
Outside (OB) Mount	
Minimum required mounting surface	1 3/4"
Recommended width overlap per side	1 1/2"

FINISHED DIMENSIONS

Inside (IB) Mount	
Headrail width	-3/4"
Slat width	-1/2"
Blind height	ordered height
Outside (OB) Mount	
Headrail width	-1/4"
Slat width	ordered width
Blind height	ordered height

Note: Measurements represent difference of total headrail or slat length (including end caps) from ordered width.

INSTALL BRACKETS/SUPPORTS

Install Brackets	
Standard	1 pair
Support Brackets	
Finished Width	Number of Brackets
48" to 84"	1
84 1/8" to 120"	2

STACKING HEIGHTS (APPROX.)

Blind Height	Stacks To
36"	4 1/2"
48"	4 3/4"
60"	5"
72"	5 1/4"
84"	5 1/2"
96"	5 3/4"
108"	6"
120"	6 1/4"
126"	6 1/2"

CONTROL OPTIONS

Standard	
Tilt wand left (L), pull cord right (R)	
Optional	
Tilt wand (R), pull cord (L)	
Tilt wand (R), pull cord (R)	
Tilt wand (L), pull cord (L)	
Control Positions	
8 1/8" to 10 1/2" FINISHED width, center tilt or no tilt (no lift cord)	

10 1/2" to 22 1/2" FINISHED, must be split L/R or R/L

22 5/8" FINISHED width or greater, controls can be L/R, R/L, L/L, or R/R

Unless specified: pull cord length will match wand length. Min pull cord/wand length is 12".

2-on-1 Left Blind Wand Tilt	
8" to 10-3/8"	TILT: Center Tilt Only LIFT CORD: n/a
10-1/2" to 18"	TILT: Right only LIFT CORD: Left Only
18-1/8" or more	TILT: Left or Right LIFT CORD: Left Only

2-on-1 Right Blind Wand Tilt	
8" to 10-3/8"	TILT: Center Tilt Only LIFT CORD: n/a
10-1/2" to 18"	TILT: Left only LIFT CORD: Right Only
18-1/8" or more	TILT: Left or Right LIFT CORD: Right Only

2-on-1 Left Blind Cord Tilt	
8" to 10-3/8" n/a	
10-1/2" to 18" n/a	
18-1/8" or more	TILT: Left Only LIFT CORD: Left Only

2-on-1 Right Blind Cord Tilt	
8" to 10-3/8" n/a	
10-1/2" to 18" n/a	
18-1/8" or more	TILT: Right Only LIFT CORD: Right Only

LIFT & LOCK™ CONTROL OPTIONS

Standard	Optional
Tilt wand (L)	Tilt wand (R)

WAND LENGTH STANDARDS

Blind Height	Wand Length
12" to 24"	12"
24 1/8" to 36"	20"
36 1/8" to 48"	24"
48 1/8" to 60"	36"
60 1/8" to 75"	48"
75 1/8" to 90"	60"
90 1/8" to 105"	70"

Note: Any wand length listed above may be chosen to override the supplied standard wand length. Additional wand lengths: 72" and 84".

LADDER STANDARDS

Finished Width	Number of Ladders
Up to 46 1/2"	2
46 5/8" to 80 1/2"	3
80 5/8" to 114 1/2"	4
114 5/8" to 120"	5

OPTIONAL FEATURES

Lift & Lock™ cordless (standard rout only)

No Charge – Specify on Order

- Slat valance & clips
- Channel valance
- Hold-down brackets
- 3/8" spacer blocks
- Extension brackets
- Non-standard cord length
- Non-standard wand length
- Multiple blinds on one headrail
- Cut-outs

HOW TO PRICE

- **Important Note!** All base prices are predicated on Ordered Dimensions, not Finished Dimensions.
- Multiple blinds on 1 headrail – price each blind individually and add together for total price.
- Base prices for 2" Macro blinds are shown on price chart M2.
- Lift & Lock™ cordless surcharge added to each blind ordered when selected as an option.

MEASURING

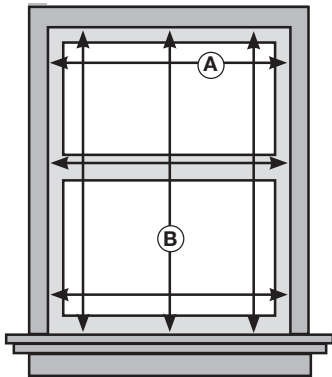
Accurate measurements are essential, for both correct pricing and proper fit. Use only a hard-edged ruler or steel tape, never a cloth tape. For inside mounts, width measurements should be rounded **down** to the nearest 1/8" to prevent blind from binding against the window casing.

INSIDE MOUNTING (IB)

For **WIDTH (A)**, measure across the window casing from one inside edge to the other in three places, top, middle, and bottom. Record the **smallest** width rounded **down** to the nearest 1/8".

For **LENGTH (B)**, measure the inside area from the top inside edge down to the top of the sill in three places, left, middle and right. Record the **longest** length rounded **up** to the nearest 1/8".

The factory will make all the necessary deductions for inside mount.



INSIDE BRACKET MOUNTING REQUIREMENTS

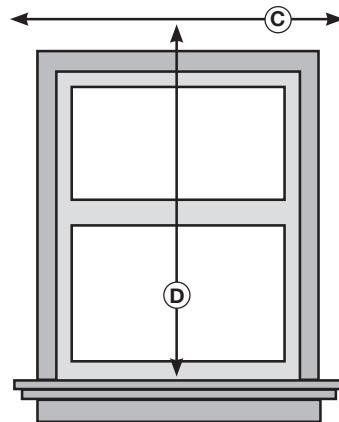
Deluxe.....	Pg 7
Basic.....	Pg 11
Value.....	Pg 13
Macro.....	Pg 15

OUTSIDE MOUNTING (OB)

For **WIDTH (C)**, measure from one edge of the casing to the other, then add a minimum of 4" (2" each side), for blind overlap. Record the measurement rounded **up** to the nearest 1/8".

For **LENGTH (D)**, measure from the top of the window sill up to the desired top of the blind. Again, record the measurements rounded **up** to the nearest 1/8".

Outside mounted blinds are fabricated to order dimensions.



OUTSIDE BRACKET MOUNTING REQUIREMENTS

Deluxe.....	Pg 7
Basic.....	Pg 11
Value.....	Pg 13
Macro.....	Pg 15

ORDERING GUIDELINES

When ordering aluminum horizontal blinds, make sure to provide all the necessary information on your order including:

Desired Blind Style Name plus:
Privacy, Standard Rout Holes, Slat Size, etc.

Correct Size:
Width x Length

Color Name and Color Number

Cut-outs

Multiple Blinds on one Headrail

Deluxe Groover Type Valance

Base Price (determined by price chart)

Type of Mounting the blind requires:

Inside (IB)

Outside (OB)

Control Position (Left or Right)

Extension Brackets or Spacer Blocks for desired window/wall clearance

Specifications for:

Cut-Outs (include diagram)

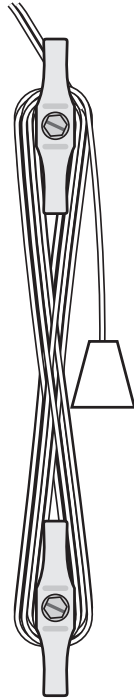
Multiple Blinds on One Headrail (width and position of each blind)

CHILD SAFETY & CARE

CHILD SAFETY

Our Aluminum Premier Collection is designed with child safety as a priority. To reduce the risk of strangulation our fabrication methods incorporate features to comply with the current ANSI cord safety standard. Fabrication methods include cord stops, Cord-Shield cording, and tension devices.

To further reduce the risk of accidents, all cords should be kept out of the reach of children. Cord cleats can help implement this essential precaution and are therefore included with all standard cord lock/pull cord Aluminum Premier Collection products. The cord cleat should be mounted at a safe height, taking into account furniture or other objects upon which a child may climb.



After each use of the shade, excess cord should be wrapped around the cleat, out of the reach of children.

For blinds and shades made with a clutch operating system, our tension device is designed, and is to be placed and shipped, so that unless it is properly installed (or altered from the shipped condition with sequential process or tools), it prevents the shade from operating. The tension device, once installed, can help prevent children from pulling cords around their necks.



The Lift & Lock™ operating system available for the Aluminum Premier Collection is Best For Kids™ certified.

CARE & CLEANING

ROUTINE CLEANING

Aluminum Premier Blinds are easy to care for. Occasional dusting with a feather duster or low suction vacuuming with a brush attachment is all that is needed to keep the blind looking new. They may also be gently cleaned with a soft cloth using an over-the-counter blind cleaner.

MORE THOROUGH CLEANING

Aluminum Premier Blinds may be taken down and dipped in the bathtub using a mild detergent.

PROFESSIONAL CLEANING

Aluminum Premier Blinds may be ultrasonically cleaned for superior results.

Sonoran
METAL COLLECTION

www.bddinc.com

Tucson	520.327.0123
Phoenix	602.243.9798
Salt Lake City	801.467.5065
Albuquerque	505.880.0883
Las Vegas	702.369.5333