



SONORAN

SHEER SHADINGS

January 2023 | Product Reference & Price Guide

Prices subject to change without notice.

v1.23

SHEER SHADINGS FEATURES & BENEFITS

- Horizontal fabric vanes float between two layers of soft, knitted fabric sheers, to soften your view outside with a choice of fabrics.
- All Sheer fabric vane colors are featured between two layers of sheer fabric.
- Available to widths of 120" and drops to 120" to provide visual elegance to the widest of windows.
- Vanes glide from open to closed to "out of sight" with elegant hardware.
- Four distinctly different variations of vane positions are available for numerous combinations of privacy, view and light control.
- An adjustable weight system in the bottomrail allows for on-the-spot skew adjustment for a balance appearance in the window.
- One headrail style to maintain your sophisticated look. Headrail has color coordinated fabric insert and end caps.
- Low side light gap provides minimal light leakage on shading sides and above the headrail for increased privacy.
- Easy to install hardware and brackets allows for effortless installations and easy removal for cleaning.
- May be ultrasonically or traditionally cleaned to stay bright and beautiful.
- Lifetime Limited Warranty as a commitment to your satisfaction.
- Sheer fabrics may be processed with a topical treatment to resist flames and to adhere to strict flammability codes. For more information, contact your fabricator.

Sheer Shadings Features & Benefits	2
Price Grids	4-11
Sheer Shadings Product Specifications	12-13
Design & Operation	14-15
Measuring Instructions	16
Child Safety & Caring for Shades	17
Lifetime Limited Warranty	17



PRICE GROUP I | SHEER SHADINGS

2½" Vane Value Light Filtering Fabrics | N50 • N54

Height to:	Width:	24"	30"	36"	42"	48"	54"	60"	66"	72"	84"	96"	108"	120"
	36"	375	428	486	545	603	656	715	767	826	937	1054	1177	1277
42"	398	463	527	592	650	715	779	844	902	1031	1160	1295	1412	
48"	422	492	562	633	703	773	844	914	984	1125	1265	1412	1541	
54"	451	527	603	680	756	832	908	984	1060	1213	1365	1529	1670	
60"	480	562	650	732	814	902	984	1066	1154	1318	1488	1670	1822	
66"	504	592	680	767	861	949	1037	1125	1218	1394	1576	1769	1933	
72"	527	621	721	814	908	1008	1101	1201	1295	1488	1681	1886	2062	
78"	551	656	756	861	961	1066	1166	1271	1371	1576	1781	2003	2191	
84"	580	685	797	908	1013	1125	1230	1342	1447	1670	1886	2127	2326	
90"	603	721	832	949	1066	1183	1295	1412	1529	1757	1992	2244	2455	
96"	627	750	873	996	1119	1242	1359	1482	1605	1851	2097	2361	2583	
102"	656	779	908	1043	1172	1295	1424	1552	1681	1939	2203	2478	2712	
108"	680	814	949	1084	1218	1359	1494	1629	1763	2033	2302	2595	2847	
114"	703	844	990	1131	1271	1412	1558	1699	1839	2127	2408	2718	2976	
120"	732	879	1025	1177	1324	1470	1623	1769	1916	2214	2513	2835	3105	

Operating Systems Available

Clutch w/ Cord Loop	Standard No Charge
Clutch w/ Cord Loop 2-on-1	Price as two separate shades (standard)
Cordless	\$128 Retail Surcharge
Retractable Standard	\$128 Retail Surcharge
Retractable 2-on-1	\$193 Retail Surcharge

Note: Cordless Handle Clear. Two-on-One only available on Cord Loop and Retractable Cord.

No Charge Options (specify on order)

Control Position (R or L)	
Two-on-One Headrail	Price as two separate shades (standard)
Spacer Blocks	
Extension Brackets	
Hold Down Brackets	
Back Cover for Inside Mount	
Dust Cover for Outside Mount	

AMP™ Motorized Sheer Shadings Surcharges

Motor & Parts Surcharge	\$742
Remote Control	\$170
Bridge	\$495
Charging Cable	\$170

AMP™ Motorized Standards

Minimum Width	24"
Maximum Width	120"
Minimum Height	12"
Maximum Height	120"

60 sq. ft. limit on Light Filtering fabrics for AMP™ Motorization

Two-on-One Headrail	Standard Loop	Retractable Cord
Minimum Width	24"	24"
Maximum Width	144"	144"
Maximum Height	120"	120"
Center Gap	3/8"	3/8"

Size Standards	Standard Loop	Retractable Cord	Cordless
Minimum Width	12"	12"	18"
Maximum Width	120"	120"	84"
Minimum Height	16"	16"	16"
Maximum Height	120"	120"	84"

Note: Two-on-One Headrail option not available with Cordless or AMP™ Motorization.

PRICE GROUP 2 | SHEER SHADINGS

2½" Vane Value Room Darkening Fabrics | N52

Height to:	Width:	24"	30"	36"	42"	48"	54"	60"	66"	72"	84"	96"	108"	120"
	36"	407	477	541	610	674	738	808	872	936	1070	1203	1349	1471
42"	442	517	587	663	738	814	890	959	1035	1186	1331	1494	1628	
48"	471	552	640	721	802	884	965	1046	1134	1296	1465	1639	1791	
54"	506	593	686	773	866	959	1046	1139	1227	1413	1593	1791	1953	
60"	541	640	738	843	942	1041	1139	1244	1343	1541	1744	1959	2145	
66"	564	674	779	890	994	1099	1209	1314	1419	1634	1849	2081	2279	
72"	599	715	826	942	1058	1174	1291	1401	1517	1750	1982	2227	2442	
78"	628	750	878	1000	1122	1244	1366	1494	1616	1860	2110	2378	2599	
84"	663	791	924	1058	1186	1320	1448	1581	1709	1977	2238	2523	2762	
90"	692	831	971	1110	1250	1389	1529	1669	1808	2087	2366	2669	2924	
96"	727	872	1017	1169	1314	1465	1610	1756	1907	2198	2494	2814	3087	
102"	756	913	1064	1221	1378	1535	1692	1843	2000	2314	2628	2965	3250	

Operating Systems Available

Clutch w/ Cord Loop	Standard No Charge
Clutch w/ Cord Loop 2-on-1	Price as two separate shades (standard)
Cordless	\$128 Retail Surcharge
Retractable Standard	\$128 Retail Surcharge
Retractable 2-on-1	\$193 Retail Surcharge

Note: Cordless Handle Clear. Two-on-One only available on Cord Loop and Retractable Cord.

No Charge Options (specify on order)

Control Position (R or L)	
Two-on-One Headrail	Price as two separate shades (standard)
Spacer Blocks	
Extension Brackets	
Hold Down Brackets	
Back Cover for Inside Mount	
Dust Cover for Outside Mount	

AMP™ Motorized Sheer Shadings Surcharges

Motor & Parts Surcharge	\$742
Remote Control	\$170
Bridge	\$495
Charging Cable	\$170

AMP™ Motorized Standards

Minimum Width	24"
Maximum Width	120"
Minimum Height	12"
Maximum Height	102"

50 sq. ft. limit on Room Darkening fabrics for AMP™ Motorization

Two-on-One Headrail	Standard Loop	Retractable Cord
Minimum Width	24"	24"
Maximum Width	144"	144"
Maximum Height	102"	102"
Center Gap	3/8"	3/8"

Size Standards	Standard Loop	Retractable Cord	Cordless
Minimum Width	12"	12"	18"
Maximum Width	120"	120"	84"
Minimum Height	16"	16"	16"
Maximum Height	102"	102"	84"

Note: Two-on-One Headrail option not available with Cordless or AMP™ Motorization.

PRICE GROUP 3 | SHEER SHADINGS

2" Vane Light Filtering Fabrics | SL5 • SL7

Height to:	Width:	24"	30"	36"	42"	48"	54"	60"	66"	72"	84"	96"	108"	120"
	36"	733	821	918	1003	1100	1194	1282	1379	1614	1810	1997	2424	2856
42"	771	869	966	1073	1174	1280	1379	1479	1721	1935	2134	2603	3072	
48"	816	921	1032	1137	1247	1357	1475	1589	1836	2057	2279	2789	3297	
54"	849	965	1084	1204	1325	1444	1574	1706	1948	2180	2440	3053	3667	
60"	889	1020	1142	1269	1396	1535	1670	1811	2051	2319	2599	3263	3925	
66"	929	1068	1201	1337	1479	1626	1783	1927	2162	2466	2764	3469	4171	
72"	966	1115	1260	1403	1561	1721	1880	2040	2279	2603	2926	3696	4464	
78"	995	1153	1306	1466	1630	1800	1964	2136	2387	2736	3072	3881	4691	
84"	1036	1201	1359	1542	1714	1891	2075	2255	2511	2883	3238	4078	4922	
90"	1080	1247	1422	1611	1798	1994	2174	2365	2632	3021	3400	4302	5203	
96"	1120	1300	1483	1682	1880	2077	2272	2471	2754	3162	3561	4518	5474	
102"	1284	1487	1692	1913	2115	2308	2578	2828	3026	3443	3839	4644	5757	
108"	1352	1564	1783	2013	2221	2434	2710	2981	3189	3617	4043	4889	6057	
114"	1435	1659	1890	2134	2365	2587	2874	3161	3382	3839	4285	5187	6432	
120"	1542	1777	2029	2287	2523	2764	3073	3382	3619	4112	4589	5551	6875	

*SL7 fabric only available up to 102" drop.

Operating Systems Available

Clutch w/ Cord Loop	Standard No Charge
Clutch w/ Cord Loop 2-on-1	Price as two separate shades (standard)
Cordless	\$128 Retail Surcharge
Retractable Standard	\$128 Retail Surcharge
Retractable 2-on-1	\$193 Retail Surcharge

Note: Cordless Handle Clear. Two-on-One only available on Cord Loop and Retractable Cord.

No Charge Options (specify on order)

Control Position (R or L)	
Two-on-One Headrail	Price as two separate shades (standard)
Spacer Blocks	
Extension Brackets	
Hold Down Brackets	
Back Cover for Inside Mount	
Dust Cover for Outside Mount	

AMP™ Motorized Sheer Shadings Surcharges

Motor & Parts Surcharge	\$742
Remote Control	\$170
Bridge	\$495
Charging Cable	\$170

AMP™ Motorized Standards

Minimum Width	24"
Maximum Width	120"
Minimum Height	12"
Maximum Height	120"

60 sq. ft. limit on Light Filtering fabrics for AMP™ Motorization

Two-on-One Headrail	Standard Loop	Retractable Cord
Minimum Width	24"	24"
Maximum Width	144"	144"
Maximum Height	120"	120"
Center Gap	3/8"	3/8"

Note: Two-on-One Headrail option not available with Cordless or AMP™ Motorization.

Size Standards	Standard Loop	Retractable Cord	Cordless
Minimum Width	12"	12"	18"
Maximum Width	120"	120"	84"
Minimum Height	16"	16"	16"
Maximum Height	120"	120"	84"

PRICE GROUP 4 | SHEER SHADINGS

2" Vane Room Darkening Fabrics | SL1

Height to:	Width:	24"	30"	36"	42"	48"	54"	60"	66"	72"	84"	96"	108"	120"
	36"	805	904	1010	1104	1207	1317	1409	1516	1777	1994	2196	2665	3142
42"	852	958	1064	1182	1289	1406	1516	1625	1894	2126	2350	2864	3380	
48"	897	1012	1137	1247	1372	1494	1619	1748	2019	2264	2508	3070	3627	
54"	935	1062	1192	1326	1454	1589	1732	1872	2140	2397	2684	3359	4031	
60"	976	1122	1256	1396	1535	1688	1836	1996	2257	2551	2857	3589	4318	
66"	1018	1174	1325	1472	1625	1791	1960	2122	2375	2712	3040	3813	4589	
72"	1064	1230	1387	1545	1717	1894	2066	2246	2508	2864	3217	4061	4911	
78"	1097	1270	1436	1612	1792	1979	2161	2352	2622	3009	3375	4267	5161	
84"	1141	1325	1497	1692	1887	2081	2286	2474	2763	3167	3560	4487	5415	
90"	1189	1372	1564	1772	1976	2189	2393	2602	2894	3322	3740	4733	5723	
96"	1233	1433	1631	1850	2066	2287	2504	2720	3032	3479	3917	4971	6021	
102"	1411	1638	1862	2104	2328	2541	2834	3113	3332	3785	4222	5111	6335	

Operating Systems Available

Clutch w/ Cord Loop	Standard No Charge
Clutch w/ Cord Loop 2-on-1	Price as two separate shades (standard)
Cordless	\$128 Retail Surcharge
Retractable Standard	\$128 Retail Surcharge
Retractable 2-on-1	\$193 Retail Surcharge

Note: Cordless Handle Clear. Two-on-One only available on Cord Loop and Retractable Cord.

No Charge Options (specify on order)

Control Position (R or L)	
Two-on-One Headrail	Price as two separate shades (standard)
Spacer Blocks	
Extension Brackets	
Hold Down Brackets	
Back Cover for Inside Mount	
Dust Cover for Outside Mount	

AMP™ Motorized Sheer Shadings Surcharges

Motor & Parts Surcharge	\$742
Remote Control	\$170
Bridge	\$495
Charging Cable	\$170

AMP™ Motorized Standards

Minimum Width	24"
Maximum Width	120"
Minimum Height	12"
Maximum Height	102"

50 sq. ft. limit on Room Darkening fabrics for AMP™ Motorization

	Standard Loop	Retractable Cord
Two-on-One Headrail		
Minimum Width	24"	24"
Maximum Width	144"	144"
Maximum Height	102"	102"
Center Gap	3/8"	3/8"

Size Standards	Standard Loop	Retractable Cord	Cordless
Minimum Width	12"	12"	18"
Maximum Width	120"	120"	84"
Minimum Height	16"	16"	16"
Maximum Height	102"	102"	84"

Note: Two-on-One Headrail option not available with Cordless or AMP™ Motorization.

PRICE GROUP 5 | SHEER SHADINGS

2½" Vane Light Filtering Fabrics | N8 • N10 • N14

Height to:	Width:	24"	30"	36"	42"	48"	54"	60"	66"	72"	84"	96"	108"	120"
	36"	768	862	965	1054	1154	1256	1348	1449	1695	1901	2097	2547	2999
42"	811	913	1017	1127	1233	1346	1449	1554	1807	2033	2243	2734	3226	
48"	858	966	1084	1194	1311	1424	1550	1669	1928	2161	2394	2929	3462	
54"	892	1016	1139	1264	1391	1516	1653	1792	2045	2290	2562	3205	3851	
60"	935	1071	1200	1332	1465	1612	1754	1902	2155	2435	2730	3428	4122	
66"	976	1122	1263	1406	1554	1708	1872	2024	2270	2591	2903	3642	4382	
72"	1017	1171	1324	1473	1641	1807	1975	2143	2394	2734	3073	3881	4687	
78"	1046	1212	1372	1541	1711	1891	2063	2244	2507	2874	3226	4076	4926	
84"	1089	1263	1427	1619	1800	1986	2180	2368	2637	3028	3400	4284	5169	
90"	1135	1311	1495	1692	1888	2095	2283	2485	2764	3172	3572	4518	5465	
96"	1176	1365	1559	1766	1975	2181	2387	2596	2893	3321	3740	4744	5749	
102"	1350	1561	1777	2009	2221	2423	2708	2970	3178	3616	4031	4878	6049	
108"	1420	1644	1872	2115	2332	2555	2846	3131	3348	3797	4245	5133	6363	
114"	1508	1743	1985	2243	2485	2717	3018	3319	3551	4031	4500	5447	6758	
120"	1619	1866	2130	2402	2651	2903	3227	3551	3800	4320	4820	5830	7224	

Operating Systems Available

Clutch w/ Cord Loop	Standard No Charge
Clutch w/ Cord Loop 2-on-1	Price as two separate shades (standard)
Cordless	\$128 Retail Surcharge
Retractable Standard	\$128 Retail Surcharge
Retractable 2-on-1	\$193 Retail Surcharge

Note: Cordless Handle Clear. Two-on-One only available on Cord Loop and Retractable Cord.

No Charge Options (specify on order)

Control Position (R or L)	
Two-on-One Headrail	Price as two separate shades (standard)
Spacer Blocks	
Extension Brackets	
Hold Down Brackets	
Back Cover for Inside Mount	
Dust Cover for Outside Mount	

AMP™ Motorized Sheer Shadings Surcharges

Motor & Parts Surcharge	\$742
Remote Control	\$170
Bridge	\$495
Charging Cable	\$170

AMP™ Motorized Standards

Minimum Width	24"
Maximum Width	120"
Minimum Height	12"
Maximum Height	120"

60 sq. ft. limit on Light Filtering fabrics for AMP™ Motorization

Two-on-One Headrail	Standard Loop	Retractable Cord
Minimum Width	24"	24"
Maximum Width	144"	144"
Maximum Height	120"	120"
Center Gap	3/8"	3/8"

Size Standards	Standard Loop	Retractable Cord	Cordless
Minimum Width	12"	12"	18"
Maximum Width	120"	120"	84"
Minimum Height	16"	16"	16"
Maximum Height	120"	120"	84"

Note: Two-on-One Headrail option not available with Cordless or AMP™ Motorization.

PRICE GROUP 6 | SHEER SHADINGS

2½" Vane Room Darkening Fabrics | N6 • N16

Height to:	Width:	24"	30"	36"	42"	48"	54"	60"	66"	72"	84"	96"	108"	120"
	36"		847	950	1062	1160	1267	1383	1479	1593	1866	2095	2306	2800
42"		896	1006	1117	1241	1355	1476	1593	1707	1989	2233	2467	3009	3549
48"		943	1064	1194	1311	1442	1568	1701	1836	2121	2376	2635	3224	3810
54"		981	1116	1253	1394	1527	1669	1820	1967	2248	2517	2819	3528	4234
60"		1025	1178	1319	1466	1612	1773	1928	2096	2369	2680	3000	3769	4534
66"		1069	1233	1391	1546	1707	1882	2059	2228	2495	2848	3194	4004	4820
72"		1117	1292	1457	1622	1803	1989	2169	2358	2635	3009	3380	4265	5157
78"		1152	1333	1509	1693	1883	2078	2269	2470	2753	3160	3545	4482	5421
84"		1198	1391	1571	1777	1982	2185	2401	2599	2900	3325	3738	4713	5687
90"		1248	1442	1644	1860	2075	2301	2512	2732	3040	3490	3928	4971	6010
96"		1295	1506	1712	1943	2169	2402	2631	2857	3186	3652	4114	5221	6322
102"		1482	1719	1956	2210	2446	2669	2977	3268	3498	3975	4435	5368	6651

Operating Systems Available

Clutch w/ Cord Loop	Standard No Charge
Clutch w/ Cord Loop 2-on-1	Price as two separate shades (standard)
Cordless	\$128 Retail Surcharge
Retractable Standard	\$128 Retail Surcharge
Retractable 2-on-1	\$193 Retail Surcharge

Note: Cordless Handle Clear. Two-on-One only available on Cord Loop and Retractable Cord.

No Charge Options (specify on order)

Control Position (R or L)	
Two-on-One Headrail	Price as two separate shades (standard)
Spacer Blocks	
Extension Brackets	
Hold Down Brackets	
Back Cover for Inside Mount	
Dust Cover for Outside Mount	

AMP™ Motorized Sheer Shadings Surcharges

Motor & Parts Surcharge	\$742
Remote Control	\$170
Bridge	\$495
Charging Cable	\$170

AMP™ Motorized Standards

Minimum Width	24"
Maximum Width	120"
Minimum Height	12"
Maximum Height	102"

50 sq. ft. limit on Room Darkening fabrics for AMP™ Motorization

Two-on-One Headrail	Standard Loop	Retractable Cord
Minimum Width	24"	24"
Maximum Width	144"	144"
Maximum Height	102"	102"
Center Gap	3/8"	3/8"

Size Standards	Standard Loop	Retractable Cord	Cordless
Minimum Width	12"	12"	18"
Maximum Width	120"	120"	84"
Minimum Height	16"	16"	16"
Maximum Height	102"	102"	84"

Note: Two-on-One Headrail option not available with Cordless or AMP™ Motorization.

PRICE GROUP 7 | SHEER SHADINGS

3" Vane Light Filtering Fabrics | SL6 • SL8

Height to:	Width:	24"	30"	36"	42"	48"	54"	60"	66"	72"	84"	96"	108"	120"
	36"	805	904	1010	1104	1207	1317	1409	1516	1777	1994	2196	2665	3142
42"	852	958	1064	1182	1289	1406	1516	1625	1894	2126	2350	2864	3380	
48"	897	1012	1137	1247	1372	1494	1619	1748	2019	2264	2508	3070	3627	
54"	935	1062	1192	1326	1454	1589	1732	1872	2140	2397	2684	3359	4031	
60"	976	1122	1256	1396	1535	1688	1836	1996	2257	2551	2857	3589	4318	
66"	1018	1174	1325	1472	1625	1791	1960	2122	2375	2712	3040	3813	4589	
72"	1064	1230	1387	1545	1717	1894	2066	2246	2508	2864	3217	4061	4911	
78"	1097	1270	1436	1612	1792	1979	2161	2352	2622	3009	3375	4267	5161	
84"	1141	1325	1497	1692	1887	2081	2286	2474	2763	3167	3560	4487	5415	
90"	1189	1372	1564	1772	1976	2189	2393	2602	2894	3322	3740	4733	5723	
96"	1233	1433	1631	1850	2066	2287	2504	2720	3032	3479	3917	4971	6021	
102"	1411	1638	1862	2104	2328	2541	2834	3113	3332	3785	4222	5111	6335	
108"	1490	1719	1960	2213	2445	2677	2982	3277	3505	3976	4443	5375	6664	
114"	1578	1827	2077	2350	2602	2844	3161	3476	3720	4222	4713	5704	7078	
120"	1692	1956	2227	2514	2782	3040	3381	3720	3977	4524	5048	6105	7566	

Operating Systems Available

Clutch w/ Cord Loop	Standard No Charge
Clutch w/ Cord Loop 2-on-1	Price as two separate shades (standard)
Cordless	\$128 Retail Surcharge
Retractable Standard	\$128 Retail Surcharge
Retractable 2-on-1	\$193 Retail Surcharge

Note: Cordless Handle Clear. Two-on-One only available on Cord Loop and Retractable Cord.

No Charge Options (specify on order)

Control Position (R or L)	
Two-on-One Headrail	Price as two separate shades (standard)
Spacer Blocks	
Extension Brackets	
Hold Down Brackets	
Back Cover for Inside Mount	
Dust Cover for Outside Mount	

AMP™ Motorized Sheer Shadings Surcharges

Motor & Parts Surcharge	\$742
Remote Control	\$170
Bridge	\$495
Charging Cable	\$170

AMP™ Motorized Standards

Minimum Width	24"
Maximum Width	120"
Minimum Height	12"
Maximum Height	102" OR 120"

60 sq. ft. limit on Light Filtering fabrics for AMP™ Motorization

Two-on-One Headrail	Standard Loop	Retractable Cord
Minimum Width	24"	24"
Maximum Width	144"	144"
Maximum Height	102" OR 120"	102" OR 120"
Center Gap	3/8"	3/8"

Size Standards	Standard Loop	Retractable Cord	Cordless
Minimum Width	12"	12"	18"
Maximum Width	120"	120"	84"
Minimum Height	16"	16"	16"
Maximum Height	102" OR 120"*	102" OR 120"*	84"

Note: Two-on-One Headrail option not available with Cordless or AMP™ Motorization.

*SL8 has a max height of 102".

PRICE GROUP 8 | SHEER SHADINGS

3" Vane Room Darkening Fabrics | SL2

Height to:	Width:	24"	30"	36"	42"	48"	54"	60"	66"	72"	84"	96"	108"	120"
	36"	886	995	1112	1215	1328	1447	1550	1667	1954	2195	2415	2933	3455
42"	937	1054	1171	1300	1418	1546	1667	1787	2084	2341	2585	3150	3718	
48"	988	1113	1249	1373	1509	1642	1781	1924	2220	2490	2758	3378	3991	
54"	1028	1170	1311	1458	1600	1747	1905	2059	2354	2636	2952	3693	4437	
60"	1073	1233	1381	1537	1688	1857	2020	2196	2484	2805	3143	3949	4750	
66"	1122	1289	1457	1619	1787	1971	2155	2336	2613	2984	3345	4193	5048	
72"	1171	1352	1526	1699	1888	2084	2272	2468	2758	3150	3539	4468	5401	
78"	1207	1396	1582	1774	1972	2177	2375	2587	2885	3310	3712	4696	5676	
84"	1255	1457	1647	1861	2075	2291	2514	2724	3037	3483	3916	4937	5955	
90"	1308	1509	1719	1948	2174	2408	2632	2861	3186	3654	4115	5208	6296	
96"	1357	1576	1794	2034	2272	2515	2754	2992	3336	3826	4309	5469	6623	
102"	1552	1802	2049	2313	2562	2794	3117	3424	3664	4164	4645	5623	6968	

Operating Systems Available

Clutch w/ Cord Loop	Standard No Charge
Clutch w/ Cord Loop 2-on-1	Price as two separate shades (standard)
Cordless	\$128 Retail Surcharge
Retractable Standard	\$128 Retail Surcharge
Retractable 2-on-1	\$193 Retail Surcharge

Note: Cordless Handle Clear. Two-on-One only available on Cord Loop and Retractable Cord.

No Charge Options (specify on order)

Control Position (R or L)	
Two-on-One Headrail	Price as two separate shades (standard)
Spacer Blocks	
Extension Brackets	
Hold Down Brackets	
Back Cover for Inside Mount	
Dust Cover for Outside Mount	

AMP™ Motorized Sheer Shadings Surcharges

Motor & Parts Surcharge	\$742
Remote Control	\$170
Bridge	\$495
Charging Cable	\$170

AMP™ Motorized Standards

Minimum Width	24"
Maximum Width	120"
Minimum Height	12"
Maximum Height	102"

50 sq. ft. limit on Room Darkening fabrics for AMP™ Motorization

	Standard Loop	Retractable Cord
Two-on-One Headrail		
Minimum Width	24"	24"
Maximum Width	144"	144"
Maximum Height	102"	102"
Center Gap	3/8"	3/8"

Size Standards	Standard Loop	Retractable Cord	Cordless
Minimum Width	12"	12"	18"
Maximum Width	120"	120"	84"
Minimum Height	16"	16"	16"
Maximum Height	102"	102"	84"

Note: Two-on-One Headrail option not available with Cordless or AMP™ Motorization.

SHEER SHADINGS PRODUCT SPECIFICATIONS

HEADRAIL

Specifications (figure A):

- Available on all Standard Sheer Shades
- Aluminum color coordinated headrail without fabric insert.
Fabric insert option is available with white headrail only. End caps and bottomrail are color coordinated.
- Operating Systems: Cordless, Cord Loop, Retractable or AMP™ Motorized System

Minimum Flush Inside Mount with Install Brackets	3 3/8"
Minimum Shallow Mounting Surface	1"
Minimum Side Mounting Surface.....	1 1/4"
Maximum Shade Width Side Mount.....	48"
Minimum Outside Mounting Surface	1"

CORD INFORMATION

Braided polyester cord styles will measure the height indicated below unless otherwise specified.

Shade Height:

16" - 26 7/8"

27" - 39 7/8"

40" - 59 7/8"

60" - 83 7/8"

84" - 107 7/8"

108" - 120"

Standard Loop:

1 ft. (white only)

2 ft.

3 ft.

4 ft.

5 ft.

6 ft. (white only)

Optional Cord Drops (white cord only)

Shade Height:

6' - 12'

12' - 16'

Standard Loop:

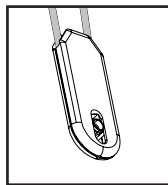
6" increments

12" increments

Child Safety

Our Sheer Shadings are designed with child safety as a priority. To reduce the risk of strangulation, our fabrication methods incorporate features to comply with the current ANSI cord safety standard. Fabrication methods include tension devices.

For Sheer Shadings made with a clutch operating system, our tension device is designed and is to be placed and shipped, so that unless it is properly installed (or altered from the shipped condition with sequential process or tools), it prevents the shade from operating. The tension device, once installed, can help prevent children from pulling cords around their necks.



cord tensioner

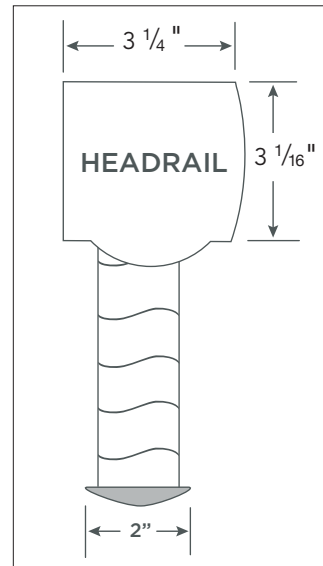
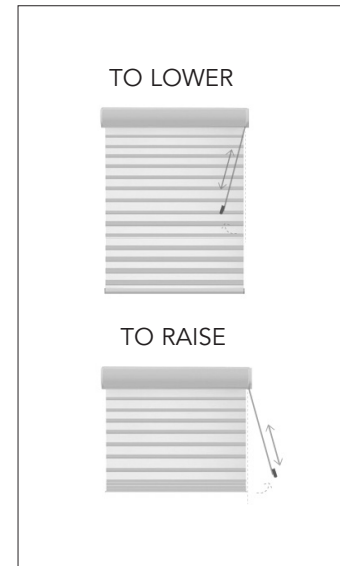


Figure A



Retractable

FINISHED DIMENSIONS

Once ordered and manufactured, the width of the fabric cannot be altered. Your fabricator makes deductions to the width of Sheer Shadings depending on the type of mounting indicated. For all mounting types, fabric will measure exactly the height ordered when the vanes are in the open or "view-through" position.

Inside Mount:

- Headrail will measure ordered width less 3/16"
- Fabric will measure ordered width less 1"

Side (End) Mount:

- Headrail will measure ordered width less 11/16"
- Fabric will measure ordered width less 1 1/2"

Outside Mount:

- Headrail will measure ordered width
- Fabric will measure ordered width minus 3/4"

Headrail measurements include endcaps. Width and length measurements may vary +/- 1/8".

SHEER SHADINGS PRODUCT SPECIFICATIONS

HEADRAIL FOR VALUE SHEER SHADES

Specifications (figure A):

- Available on all Value Sheer Shades
- Aluminum color coordinated headrail
- Operating Systems: Cord Loop and Cordless options only

Minimum Flush Inside Mount with Install Brackets.....	3 3/8"
Minimum Shallow Mounting Surface	1"
Minimum Side Mounting Surface.....	1 1/4"
Maximum Shade Width Side Mount.....	48"
Minimum Outside Mounting Surface.....	1"

CORD LOOP INFORMATION

Cord Loop styles will measure the height indicated below unless otherwise specified.

Shade Height:	Standard Loop:
16" - 26 7/8"	1 ft. (white only)
27" - 39 7/8"	2 ft.
40" - 59 7/8"	3 ft.
60" - 83 7/8"	4 ft.
84" - 107 7/8"	5 ft.
108" - 120"	6 ft. (white only)

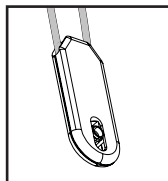
Optional Cord Drops (white cord only)

Shade Height:	Standard Loop:
6' - 12'	6" increments
12' - 16'	12" increments

Child Safety

Our Sheer Shadings are designed with child safety as a priority. To reduce the risk of strangulation, our fabrication methods incorporate features to comply with the current ANSI cord safety standard. Fabrication methods include tension devices.

For Sheer Shadings made with a clutch operating system, our tension device is designed and is to be placed and shipped, so that unless it is properly installed (or altered from the shipped condition with sequential process or tools), it prevents the shade from operating. The tension device, once installed, can help prevent children from pulling bead chains around their necks.



cord tensioner

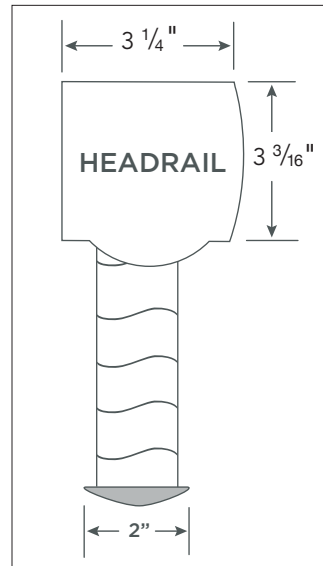


figure A

FINISHED DIMENSIONS

Once ordered and manufactured, the width of the fabric cannot be altered. Your fabricator makes deductions to the width of Sheer Shadings depending on the type of mounting indicated. For all mounting types, fabric will measure exactly the height ordered when the vanes are in the open or "view-through" position.

- | | |
|--------------------------|--|
| Inside Mount: | <ul style="list-style-type: none"> • Headrail will measure ordered width less 3/16" • Fabric will measure ordered width less 1" |
| Side (End) Mount: | <ul style="list-style-type: none"> • Headrail will measure ordered width less 11/16" • Fabric will measure ordered width less 1 1/2" |
| Outside Mount: | <ul style="list-style-type: none"> • Headrail will measure ordered width • Fabric will measure ordered width minus 3/4" |

Headrail measurements include endcaps. Width and length measurements may vary +/- 1/8".

HORIZONTAL SHEER SHADINGS DESIGN & OPERATION

Fabric Collections:

Sheer shades are available with three different fabric vane sizes: 2", 2 1/2" and 3". Light filtering fabric gently filters light while room darkening casts deep room darkening shadows. Please note that room darkening is not a blackout fabric.

Shade Operation:

Sheer shades feature the Continuous Cord System or the Motorized System. Both Systems provide the ability to manipulate the shade into various viewing positions. From the closed and retracted position (fabric inside the headrail), lower the fabric by pulling down on the rear of the loop cord until you reach the desired shading position or press the down arrow of the remote control. Once lowered completely to the window sill, continuing to pull the cord in the same direction, or pressing the down arrow on the remote control, will open the horizontal fabric vanes, offering varied views to the outside. To retract the shading, simply pull down on the front of the cord, or press the up arrow of the remote control, until the shade reaches the desired viewing mode or fabric position.

Viewing Options:

Sheer Shadings provide a number of varied views to the outside for controlling light and privacy. Consequently, there are variations in visibility through the shades when the vanes are tilted to their maximum open positions. The following four modes can be obtained with standard shading operation when viewing the shading at eye level.

- **Closed top, open bottom** - By partially lowering the shade from the fully raised position, the upper portion of your window will become semi-opaque while allowing a clear view below.
- **Fully private** - When lowered completely, the shade provides complete privacy and softly diffuses light.
- **Partially open** - Opening the shade slightly will gradually increase the level of light and allow varying levels of "view-through."
- **View-through when lowered** - By completely opening the vanes, the shade provides a softened, veiled view to the outside.

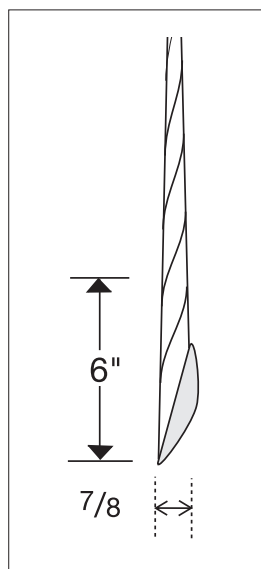


figure B

Vane Closure (*figure B*):

Sheer shade fabric vanes overlap and provide privacy when closed. However, the inherent nature of the fabric will cause a slight increase in the distance from the front sheer to back sheer as you move further down the shade. These vanes do not form a perfect seal against light leakage which is most visible toward the bottom of the shade.

Vane closure is measured as the distance between the front and rear fabric sheers 6" up from the lowest point of the bottom rail, with the shade fully lowered and the vanes closed. For sheer shades, the maximum distance from the front sheer to the back sheer when closed is 1".

Side-by-Side Alignment:

When sheer shades are installed side-by-side, vane alignment can be guaranteed within 1/4" only if:

- The shades are the same color, identical style, ordered at the same time and are the same height.
- The sum total of the widths of all shades needing alignment is less than 120".
- Side-by-side lineup must be specified when the order is placed.
- Vane alignment cannot be guaranteed for Two-on-One Headrail and motorized shadings combined on the same order.

HORIZONTAL SHEER SHADINGS DESIGN & OPERATION

Vane Opening:

Vanes on the four styles of sheer shade fabrics open to slightly different degrees. Consequently, there are variations in visibility through the shades when the vanes are tilted to their maximum open positions. The variations among the products are shown in the illustration to the right, when looking through the shading $\frac{1}{4}$ of the way up from the bottom.

Hardware:

Hold Down Brackets

Hold down brackets are made of a clear plastic which fit into holes in the end cap of the bottom rail. Hold downs are generally used to secure the bottom of the sheer shade to prevent swaying.

Extension Brackets

Extension or "L" brackets are available which can be used to project the back of the shade $4\frac{1}{4}$ " from the mounting surface.

Spacer Blocks

Spacer blocks project the shade $\frac{3}{8}$ " from the mounting surface. Use spacer blocks to obtain clearance when obstructions, such as window cranks or door handles, obstruct the movement of the shade.

Cord Tensioner:

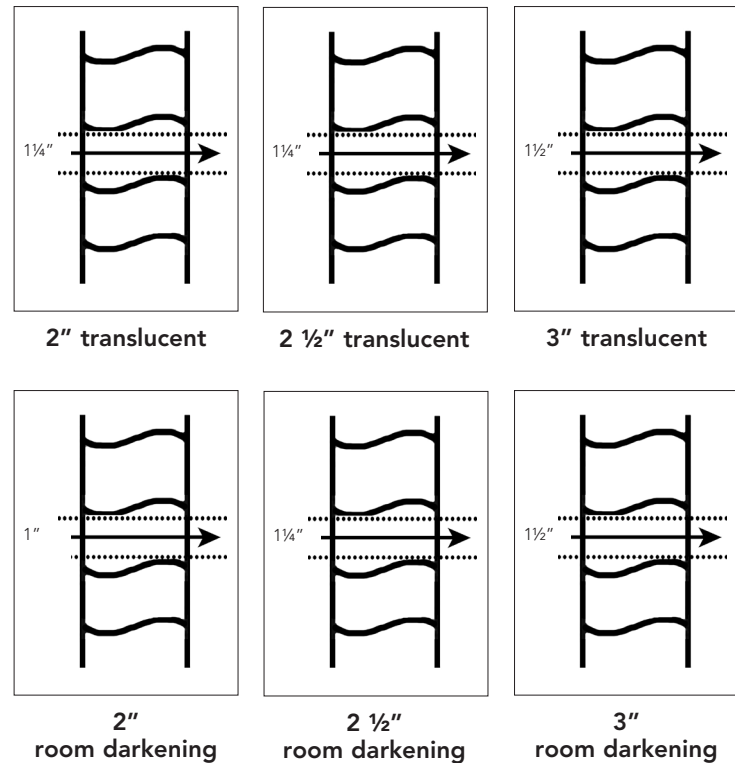
The cord tensioner keeps the cord taut to prevent children and pets from entangling and subsequently injuring themselves. Cord tensioners must be used for this product to comply with the Consumer Product Safety Commission (CPSC) Child Safety guidelines.

Leveling Sheer Shadings:

Sheer shades are leveled and weighted in the factory. When installed level, the fabric will not skew when raised. If the headrail is not installed level, skewing can occur that can damage the edge of the fabric. Be sure to follow the installation instructions carefully to ensure correct and balanced operation.

Skew Adjusting Bottom Rail:

After installation, windows that are not square and level may cause the shadings to shift to one side as it rolls up, requiring adjustment of the bottom rail. To adjust the fabric, the weight in the bottom rail can be slid from one end to the other. If the fabric is skewing to the right, loosen the weight with a screw driver and slide the weight to the right. If the fabric is skewing to the left, slide the weight to the left.



Height Considerations (figure C):

Your fabricator will fabricate your sheer shade to the exact height ordered, when the vanes are in the closed position. When the vanes are rotated to the open position, the shade will become slightly longer.

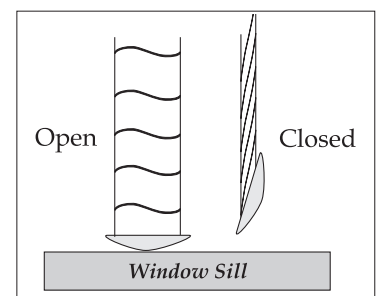


figure C

When opened on an inside mount, the shading will be slightly longer than the ordered length. A slight puckering may occur when the vanes are in the open position. Rotating the vanes closed will cause the bottom rail to touch the window sill before it begins to raise.

HORIZONTAL SHEER SHADINGS MEASURING INSTRUCTIONS

Precise width and height measurements are critical. Fabric width cannot be altered after the shading is fabricated. Please use a metal tape measure for accuracy from home to factory.

The headrail must be installed perfectly level and installed evenly to ensure smooth operation. On an inside mount, it is recommended that you check to see that the mounting surface is level and consistent. If your soffit needs to be leveled, this should be done before measuring.

INSIDE MOUNT

Measure across the width of your window opening in three different places - top, middle and bottom. Measurements should be taken within the window jamb. Provide the smallest of the three measurements to your fabricator. Be exact. Your fabricator will make the necessary deductions to fit the window opening.

Measure the height of the window opening from the underside of the soffit to the surface of the window sill in two places - use the smallest of these two measurements.

SIDE MOUNT

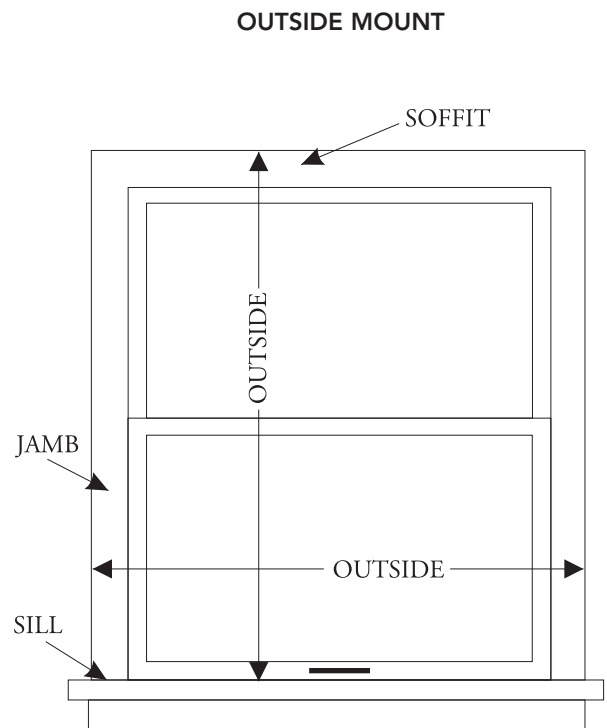
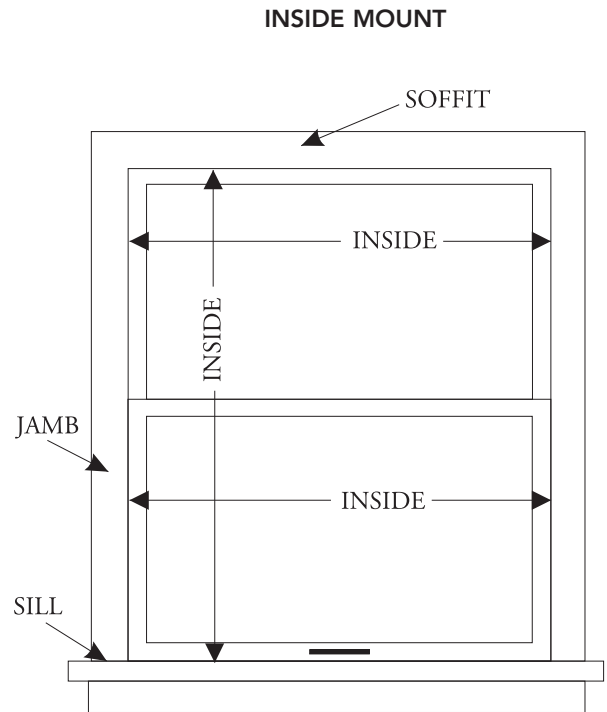
Sheer shades may be side mounted using "L" brackets. For side mounts, follow the instructions for inside mounts. An additional $\frac{1}{2}$ " will be taken off the standard inside mount deduction to allow room for the "L" brackets.

The maximum shade width utilizing the side mount option is 48".

OUTSIDE MOUNT

Measure the exact width and height of the area to be covered. On the width, allow at least $1\frac{1}{2}$ " of an overlap on each side. An overlap of 3" on each side is recommended.

Be sure to take into consideration any obstructions such as window trim, molding, locks and window cranks.



CHILD SAFETY

Our Sheer Shadings are designed with child safety as a priority. To reduce the risk of strangulation, our fabrication methods incorporate features to comply with the current ANSI cord safety standard. Fabrication methods include tension devices.



CARING FOR SHADES

The soft, delicate feel of the fabric belies the durability of the material. It is made from a sturdy, knitted polyester fabric which can be feather dusted or vacuumed at a low setting. Spots or stains can be lightly rubbed clean with a damp sponge and mild soap. To avoid discoloration of the material, we recommend against the use of chemical cleaners. The sheer fabric may also be ultrasonically cleaned.

Important: Do not clean the fabric using electrostatic wipes such as Swiffer® or Pledge Grab-It®.



POLICIES & WARRANTIES

Sheer Fabric

Knitted fabric may experience minor weave variations due to heat, humidity and other room conditions. These variations can result in light bowing, puckering and dimpling of the material. This is considered normal and does not constitute a failure in either workmanship or materials. The possible variations are minor and have been shown through case study, not to detract from the beauty of the product.

Polyester Cord

Unlike its bead chain counterpart, the braided polyester cord does not have a "reverse roll" stop. If a shade with a braided polyester cord is raised above 24" in the "reverse roll" mode, there is a possibility of the fabric rubbing on the headrail. Your fabricator reserves the right NOT to warrant wear and tear of fabric if damaged by roll-up in excess of 24".

Battery Operated Motorized

The manufacturer warrants its motors to be free from defects in material and workmanship under normal and proper use for a period of five years starting from the date stamped on the motor. Mechanical, electrical and electronic accessories are warranted for one year from date of invoice.

Limited Lifetime Warranty

The manufacturer warrants that Sheer Shadings will be free from defects in materials and workmanship for as long as the original purchaser owns the product, provided that the product was installed properly and in accordance with the installation instructions. This limited lifetime warranty is extended to the original purchaser only, in the original window for which it was intended. This warranty does not include any conditions or damages resulting from accidents, alterations, misuse, or failure to follow printed instructions on installation, cleaning and care, or repairs. This warranty also does not cover conditions resulting from normal wear and tear. Cords are considered a wearable part and carry a three year limited warranty. All fabric, including fabric vanes, panels, inserts, and shades carry a five year warranty. To obtain

service, contact the dealer from whom you purchased the product. The manufacturer will work with the dealer to repair or replace defective parts or components with similar or like parts at no charge. THIS WARRANTY IS EXCLUSIVE AND IN LIEU OF ALL OTHER OBLIGATIONS, LIABILITIES OR WARRANTIES. In no event shall Turnils or its licensed fabricators or distributors be liable for INCIDENTAL OR CONSEQUENTIAL DAMAGES, or for any other damage, loss or expense, cost or fee associated with such damage. In some states, exclusions for incidental or consequential damages are not allowable. This warranty gives you specific legal rights, and you may have additional rights that vary from state to state.

Conditions of Sale

All products are custom fabricated to your exact specifications. We cannot accept responsibility for errors in ordering or cancellations and changes after the order is in production.

Policies

Our policies are designed to provide a guide for doing business with your fabricator. Our first priority and number one policy is to provide the highest level of service and total satisfaction.

Freight

On orders for fabricated Sheer Shadings, our standard policy is to ship freight free via UPS Ground or other similar method within the continental US. The manufacturer reserves the right to select another carrier, modify shipping terms or change freight policies without notice.

Service and Repair

Service may be obtained by contacting our Customer Service Department. No products, parts, components or other materials will be authorized for return or repair without prior approval from the manufacturer. A Return Authorization (RA) may be obtained by contacting our Customer Service Department. In order to provide the quickest service possible, please have your Work Order number and original order information available when you call.

Sonoran
METAL COLLECTION

www.bddinc.com

Tucson	520.327.0123
Phoenix	602.243.9798
Salt Lake City	801.467.5065
Albuquerque	505.880.0883
Las Vegas	702.369.5333