



**BDD INC.**  
**EST. 1952**

**Sonoran**  
**Exterior Roller**  
**Shades**

**Retail Price List**

Effective January 1st, 2022

# Sonoran Exterior Roller Shades

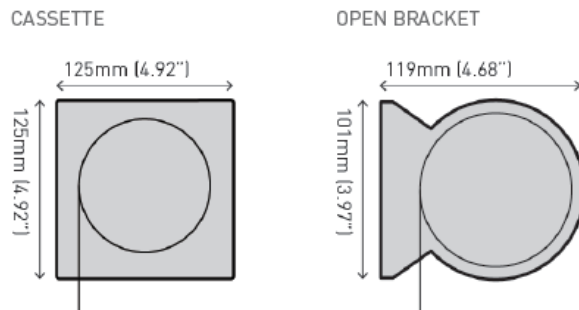
## Open Roll

- \*Open roll only available as Crank Operated
- \*Heavy Duty Stainless Steel Brackets
- \*Cable Guided Hem Bar, which can be attached to floor or ceiling
- \*Exterior Hem Bar available in 5 colors: White, Woodland Grey, Bronze, Black, Paperbark
- \*Brackets are able to be Wall Mounted, Ceiling Mounted, or Side Mounted
- \*Plastic bracket covers available in White, Woodland Grey, Black, and Paperbark

## Fully Enclosed Headbox

- \*Available as Crank Operated or Motorized
- \*Fully Enclosed Aluminum Headbox available in White, Woodland Grey, Bronze, Black, Paperbark
- \*Cable Guided Hem Bar, which can be attached to floor or ceiling
- \*Exterior Hem Bar available in 5 colors: White, Woodland Grey, Bronze, Black, Paperbark
- \*Headbox is able to be Wall Mounted, Ceiling Mounted, or Side Mounted
- \*Somfy and Sonoran Motor Options available, see page 5

## Bracket Dimensions



## Headbox/Hem Bar Colors



## Patterns

Pattern Name	Openness	Minimum Width	Max Shade Size
Suntex 95	5%	33"	156" x 108" or 126" x 156"
Suntex 97	3%	33"	156" x 108" or 126" x 156"

B.D.D., Inc. 2022

# Sonoran Exterior Roller Shades

## Open Roll, Crank Operated, Suntex 95

Price Group	1A	Width To										
		48"	60"	72"	84"	96"	108"	120"	126"	132"	144"	156"
Height To	72"	1225	1312	1397	1482	1567	1652	1737	1780	1822	1908	1994
	84"	1248	1337	1428	1519	1610	1700	1791	1836	1882	1972	2063
	96"	1269	1364	1461	1557	1652	1749	1845	1892	1940	2036	2133
	108"	1290	1391	1492	1594	1695	1797	1898	1949	2000	2100	2201
	120"	1312	1418	1525	1631	1739	1845	1952	2005			
	132"	1333	1445	1557	1669	1780	1892	2004	2060			
	144"	1354	1471	1589	1706	1824	1941	2058	2117			
	156"	1376	1498	1621	1743	1867	1989	2112	2173			

Open Roll Exterior Shade only available as a crank operated shade. Motorization is not available.

Price Group	1B	Width To										
		48"	60"	72"	84"	96"	108"	120"	126"	132"	144"	156"
Height To	72"	1392	1533	1674	1814	1955	2096	2238	2308	2379	2520	2661
	84"	1413	1560	1706	1853	1999	2145	2291	2364	2437	2584	2730
	96"	1435	1587	1739	1890	2042	2193	2345	2421	2496	2648	2800
	108"	1456	1613	1770	1927	2084	2241	2398	2477	2555	2712	2870
	120"	1477	1639	1803	1965	2127	2289	2452	2533			
	132"	1499	1666	1834	2002	2170	2338	2505	2589			
	144"	1520	1693	1867	2039	2212	2386	2558	2645			
	156"	1541	1720	1898	2077	2255	2433	2612	2701			

### Motor Surcharges\*

\*Net Prices

\*Motorization available for Headbox only. To price out a motorized shade, apply discount to shade above and then add the motor surcharge to the net price. Motor pricing is net pricing, no discounts apply.

#### Sonoran Motors

4510AC RF	\$341
453 Battery RF	\$470
4510 Battery RF	\$515

#### Somfy Motors

ST506 RTS	\$658
ST510 RTS	\$785

# Sonoran Exterior Roller Shades

## Open Roll, Crank Operated, Suntex 97

Price Group	2A	Width To										
		48"	60"	72"	84"	96"	108"	120"	126"	132"	144"	156"
Height To	72"	1243	1333	1423	1512	1602	1692	1782	1827	1871	1960	2050
	84"	1267	1363	1459	1554	1650	1746	1841	1889	1937	2032	2128
	96"	1291	1392	1495	1596	1698	1799	1901	1951	2002	2103	2205
	108"	1315	1423	1530	1638	1746	1853	1960	2014	2068	2176	2283
	120"	1339	1453	1566	1679	1793	1906	2020	2077			
	132"	1363	1482	1602	1721	1841	1960	2080	2140			
	144"	1386	1512	1637	1763	1889	2014	2140	2202			
	156"	1411	1541	1673	1805	1937	2067	2199	2265			

Open Roll Exterior Shade only available as a crank operated shade. Motorization is not available.

Price Group	2B	Width To										
		48"	60"	72"	84"	96"	108"	120"	126"	132"	144"	156"
Height To	72"	1410	1554	1700	1846	1990	2136	2282	2354	2426	2572	2718
	84"	1433	1585	1736	1888	2038	2190	2341	2417	2493	2643	2795
	96"	1458	1615	1772	1929	2086	2243	2401	2479	2558	2716	2873
	108"	1481	1644	1807	1971	2134	2297	2460	2542	2624	2787	2950
	120"	1505	1674	1843	2013	2182	2351	2520	2605			
	132"	1529	1704	1880	2054	2229	2404	2580	2668			
	144"	1553	1734	1915	2096	2277	2459	2640	2730			
	156"	1576	1764	1951	2138	2325	2513	2699	2793			

### Motor Surcharges\*

**\*Net Prices**

\*Motorization available for Headbox only. To price out a motorized shade, apply discount to shade above and then add the motor surcharge to the net price. Motor pricing is net pricing, no discounts apply.

#### Sonoran Motors

4510AC RF	\$341
453 Battery RF	\$470
4510 Battery RF	\$515

#### Somfy Motors

ST506 RTS	\$658
ST510 RTS	\$785

# BDD Motorization

## Sonoran Motorization Options\* (Net Pricing)

4510AC RF	\$341
453 Battery RF	\$470
4510 Battery RF	\$515

To price out an exterior shade, add the surcharge above to the net price of the shade with Headbox.

## Sonoran Motor Specifications

	Tube Size	Voltage/Motor Type	Noise Level**	RPM	Min./Max. Width	Max. Weight	
Motor	453	78 mm	12V Rechargeable Battery	40 dB	28	40"/156"	18 pounds
	4510	78 mm	12V Rechargeable Battery	42 dB	9	40"/156"	42 pounds
	4510AC	78 mm	110V Wired AC	42 dB	21	38"/156 "	42 pounds

\*\*For motor only.

## Sonoran Control Options\* (Net Pricing)

RF 1 Channel White Remote	\$61	RF 5 Channel Surface Mount White Switch	\$61
RF 5 Channel White Remote	\$64	RF 1 Channel White Wall Switch (cut in)	\$47
RF 5 Channel Black Remote	\$64	RF 2 Channel White Wall Switch (cut in)	\$54
RF 15 Channel White Remote	\$73	RF 15 Channel White Wall Switch (cut in)	\$61
Sun Sensor	\$41	ARC Hub Serial Adapter Kit	\$154
ARC Repeater	\$107	Sun, Wind and Rain Sensor **	\$239
ARC Hub Wi-Fi to RF Bridge	\$268	**only works with Sonoran 4510 AC motor	

## Somfy Motorization Options\* (Net Pricing)

ST506 RTS	\$658
ST510 RTS	\$785

To price out an exterior shade, add the surcharge above to the net price of the shade with Headbox.

## Somfy Motor Specifications

	Tube Size	Voltage/Motor Type	Noise Level**	Min./Max. Width	Max. Weight	
Motor	ST506	78 mm	110V AC	45 dBA	33"/156"	35 LBS
	ST510	78 mm	110V AC	47 dBA	33"/156"	58 LBS

## Somfy Control Options\*

Single Channel RTS Patio Remote (White/Blue)	\$87	1 CH RTS Wall Switch (White, Ivory)	\$152
Five Channel RTS Patio Remote (White/Blue)	\$117	5 CH RTS Wall Switch (White, Ivory)	\$163
Soliris 1 Channel Patio Remote (White)	\$122	Single Channel RTS Wall Switch (Black)	\$175
Soliris 5 Channel Patio Remote (White)	\$140	Five Channel RTS Wall Switch (Black)	\$187
Sunis Outdoor Sun Sensor	\$192	RTS Single Channel Wireless Timer (White)	\$210
RTS Repeater	\$216	MyLink	\$232
Eolis 3D RTS Wind Sensor (Off White or Black)	\$227	RTS Repeater	\$216
Soliris RTS Sun & Wind Sensor (w/transformer)	\$239		

\*All Pricing on this page is net pricing, discounts do not apply.

B.D.D., Inc. 2022

# Terms and Conditions

## ORDER PROCESSING

### **Telephone Orders**

Verbal orders are accepted as the dealer's responsibility. Each order will be repeated back by the Customer Service Representative. In certain instances, we may require written orders.

### **Changes and Cancellations**

All products are custom-made to your specifications under tight deadlines. Once production has begun on your order, changes and cancellations cannot be made.

### **FREIGHT**

Freight for custom blind orders, see BDD freight policy. Shipments outside the continental U.S. are subject to freight charges. Chargeable parts and returns for repair are subject to freight charges.

### **CLAIMS AND RETURNS**

#### **Defective Merchandise**

All manufacturing defects must be reported to Customer Service within 30 days of receipt of blinds. We may require the return of defective blinds prior to repair or replacement.

#### **Returns for Repair**

Prior to return for repair, contact Customer Service. We will request the order number, date, purchase order number, and type of product. Arrangements for return will be made at that time with directions as to how the blinds should be returned. The package should be marked for easy identification both inside and outside, and should contain a written confirmation of the verbal repair instructions. Repairs should be packaged carefully. Product that has been mishandled or received in poor condition will be returned to the customer. Chargebacks for unauthorized repairs or additional installation cannot be honored. All returns for repair are subject to freight charges.

#### **Returns for Credit**

Returns can be accepted only if prior authorization has been obtained from Customer Service. Authorization will include instructions as to how the merch

#### **Freight Damage UPS/Fed EX**

If freight damage is visible, refuse the shipment UPS/RPS will inspect the damage and return to the shipping location. Contact Customer Service for further information.

If freight damage is concealed, retain all packaging materials and contact Customer Service immediately.

### **Duplicated Orders**

All orders are confirmed after entry into our system. Customer service is not responsible for duplicate orders caused by a written order following a telephone order or duplicate faxes.

### **Contract Orders**

Advise Customer Service if you have a contract quote.

### **PRICING AND TERMS**

All prices are subject to change without notice. Until credit is approved, terms are Cash With Order. Standard terms are Net 30 days from invoice date.

### **Incorrect Merchandise**

Customer Service immediately. A replacement will be made at no charge if the problem was due to B.D.D., Inc. error. If the problem was due to dealer or customer error, the original order and replacement order will be full charge.

#### **Freight Damage Common Carrier (All Shipments FOB Shipping Point)**

If freight damage is visible, refuse the shipment. The carrier will return the merchandise to the shipping location for inspection. Contact Customer Service for further information.

If freight damage is concealed, contact Customer Service immediately.

## **BDD, Inc. Statement of Warranty**

### **Limited Lifetime Warranty**

B.D.D., Inc. warrants to the original purchaser that the product purchased from B.D.D., Inc. is free from defect in material and workmanship under normal use and as long as the product remains in the original window. This warranty extends only to the original purchaser of the product.

Motors and motor components are warranted for a period of 5 years. Batteries and battery wands are exempt from this warranty. Fabrics are warranted for a period of 5 years.

This warranty shall not apply to any of the parts that have failed due to accident, negligence, alteration, misuse, abuse, improper handling, installation or maintenance, failure to follow instructions for operating or installing the product, loss of color intensity due to exposure of the sun over a long time, exposure to salt air, or normal wear and tear will also void this warranty.

B.D.D., Inc.'s obligation under this warranty shall be limited to the repair or exchange of any parts or components that may prove defective in normal use within the life of the blind. B.D.D., Inc. reserves the right to inspect any product or components prior to repair. In no event shall B.D.D., Inc. be liable for transportation costs to B.D.D., Inc. B.D.D., Inc. will not be liable for cost of removal or reinstallation of the product, or incidental damages.

To obtain service under this warranty, contact your retailer for replacement or return the product to the retailer. The original purchaser shall be responsible for the transportation cost of the product or replacement back to the original purchaser anywhere in the continental United States. No agent, representative dealer, or unauthorized employee of B.D.D., Inc. has the authority to increase or alter the obligation of this warranty. This warranty does not apply to contract orders.

\*Written, online, or faxed orders are recommended (preferred) however, verbal orders are accepted as the dealer's responsibility.

B.D.D., Inc. 2022